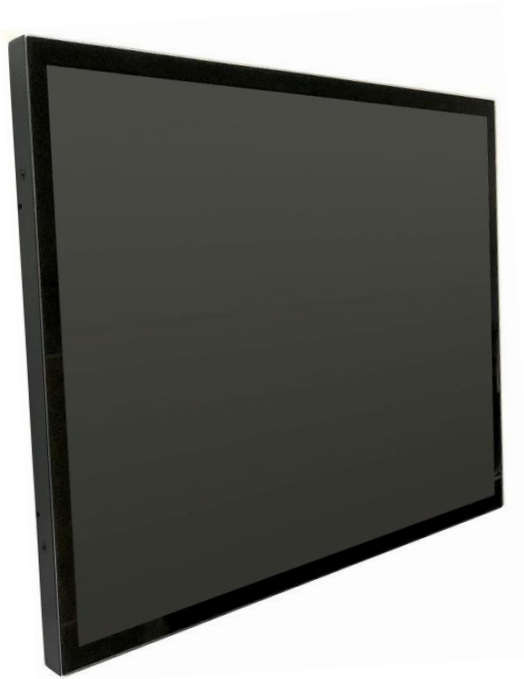


# Product Specifications

<b>Customer</b>	
<b>Model</b>	<b>NTSP190 V500</b>



Records of Revision			
Vision	Modifying	Old Description	New Description
v2002.1	Preliminary Specifications		
<b>V2002.2</b>	<b>Update the packing infomation</b>		

### Features

- ★ 19" 1280x1024 (XGA) Resolution
- ★ Narrow bezel, true Flat Projected Capacitive Touch Screen
- ★ 7H Hardness Tempered Cover Glass
- ★ 10 points Multi-touch , Supports Active Stylus
- ★ Metal Cabinet with Diverse Combine Options
- ★ Made in Taiwan, 3 Years Warranty
- ★ Optional High Brightness/Sunlight (Max.1500nits) for Outdoor application
- ★ Optional 9~36VDC Power Input
- ★ Optional Video Input (VGA/DVI/HDMI/DP)
- ★ Optional Software Remote Control by RS232
- ★ Optional AG/AR/AF/AS Film
- ★ **Optional Antibacterial Film Option, disinfects 99.99% of Harmful Bacteria**



Desktop Stand



Side Brackets



Wall Mounting



PSE



BSMI



FCC



CE



RoHS



ISO9001

## Display Specifications

Model Name	<b>NTSP190XPSXX-XXXXXX-500*</b>	Display Mode	<b>TN Type, Normally White</b>
Screen Diagonal	<b>482.6mm (19.0 inch)</b>	Response Time	<b>5 msec.</b>
Display Area	<b>376.3x301.1</b>	Backlight Unit	<b>LED (white LED)</b>
Resolution	<b>1280x1024</b>	Viewing Angle (L/R, U/D)	<b>170°/160°</b>
Contrast Ratio	<b>1000:1</b>	Backlight Lifetime	<b>30000 HRS</b>
Display Ratio	<b>4:3</b>	Operating Temp.	<b>0~50°C</b>
Support Color	<b>16.7M Colors</b>	Storage Temp.	<b>-20~60°C</b>
Pixel Pitch	<b>294x294 um</b>	Surface Treatment	<b>Anti-glare, Hardness 3H</b>

\* X = A~Z, 0~9 (Depends on Options.)

## Touch Specifications

Touch Technology	<b>Projected Capacitive</b>	Transparency	<b>≥86%</b>
Allowed Touch Points	<b>10 points</b>	Accuracy	<b>99.00%</b>
Interface	<b>USB/RS232 (Optional)</b>	Thickness of Cover Lens	<b>1.8±0.2mm</b>
Hardness of Cover Lens	<b>7H</b>	Impact Protection Rating	<b>IK07</b>



## General Options

Brightness			
	Brightness	Environment	Model Name
<b>Standard</b>	<b>250nits</b>	<b>General (Indoor Environment)</b>	<b>NTSP190<u>N</u>PSXX-XXXXXX-500</b>
Option 1	1000nits	Outdoor Environment	NTSP190 <u>A</u> PSXX-XXXXXX-500
Option 2	1500nits	Sunlight Readable	NTSP190 <u>F</u> PSXX-XXXXXX-500

Video Input		
	Connectors	Model Name
<b>Standard</b>	<b>VGA+DVI</b>	<b>NTSP190XPS<u>4</u>X-XXXXXX-500</b>
Option 1	VGA+HDMI	NTSP190XPS <u>2</u> X-XXXXXX-500
Option 2	VGA+HDMI+DP	NTSP190XPS <u>3</u> X-XXXXXX-500



Standard / VGA+DVI



Option 1 / VGA+HDMI



Option 2 / VGA+HDMI+DP

Power Input		
	Description	Model Number
<b>Standard</b>	<b>12VDC , DC Power Jack <math>\Phi</math>2.1mm</b>	<b>NTSP190XPSX<u>1</u>-XXXXXX-500</b>
Option 1	12VDC , DC Lockable Power Jack $\Phi$ 2.1mm	NTSP190XPSX <u>2</u> -XXXXXX-500
Option 2	9~36VDC, Phoenix Terminal Block	NTSP190XPSX <u>P</u> -XXXXXX-500



Option 1 / Lockable Power Jack



Option 2 / Phoenix Terminal Block



## General Options

Surface Film Options		
	Description	Model Number
<b>Standard</b>	<b>(none)</b>	<b>NTSP190XPSXX-<u>00</u>XXXX-500</b>
Option	Antibacterial (AB Film)	NTSP190XPSXX- <u>AB</u> XXXX-500
Option	Anti-Glare +UV-Cut (AG+UV Film)	NTSP190XPSXX- <u>GU</u> XXXX-500
Option	Anti-Glare +Fouling/Fingerprint (AG+AFP Film)	NTSP190XPSXX- <u>GP</u> XXXX-500
Option	Anti-Reflective +Fouling/Fingerprint (AR+AFP Film)	NTSP190XPSXX- <u>RP</u> XXXX-500
Option	Anti-Glare +Reflective +Fouling/Fingerprint (AG+AR+AFP Film)	NTSP190XPSXX- <u>GR</u> XXXX-500
Option	Anti-Spy (AS Film)	NTSP190XPSXX- <u>SF</u> XXXX-500

Color of Cabinet		
	Description	Model Name
<b>Standard</b>	<b>Black</b>	<b>NTSP190XPSXX-XX<u>B</u>XXX-500</b>
Option 1	White	NTSP190XPSXX-XX <u>W</u> XXX-500
Option 2	Sliver	NTSP190XPSXX-XX <u>S</u> XXX-500
Options	Other Color	NTSP190XPSXX-XX <u>X</u> XXX-500

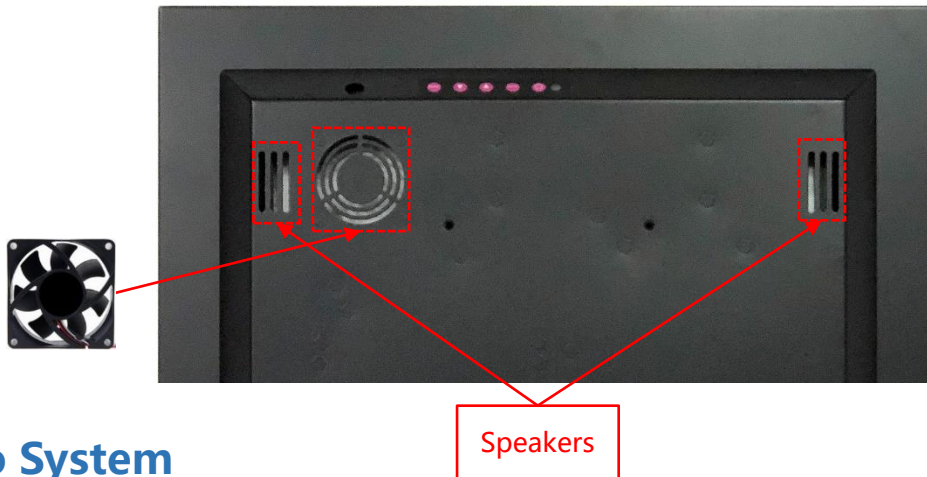
\* X = A~Z, 0~9(Depends on Color)

Material of Cabinet		
	Description	Model Name
<b>Standard</b>	<b>Galvanized steel (SECC)</b>	<b>NTSP190XPSXX-XXX<u>S</u>XX-500</b>
Option 1	Stainless Steel	NTSP190XPSXX-XXX <u>L</u> XX-500
Option 2	Aluminum	NTSP190XPSXX-XXX <u>A</u> XX-500

Touch Interface		
	Description	Model Number
<b>Standard</b>	<b>USB 2.0 Type A</b>	<b>NTSP190XPSXX-XXXX<u>U</u>X-500</b>
Option	RS232	NTSP190XPSXX-XXXX <u>R</u> X-500

## General Options

Cooling Fan		
	Description	Model Number
Standard	Fanless	NTSP190XPSXX-XXXXX <b>0</b> -500
Option	7 Blades/1.2W/4000r.p.m/Max.10.96CFM/28.3dB	NTSP190XPSXX-XXXXX <b>F</b> -500



## Audio System

	Description	Connector
Audio Input	Stereo	TRS Connector $\Phi$ 3.5mm (Earphone Jack)
Speakers	2W x2	

## Accessories

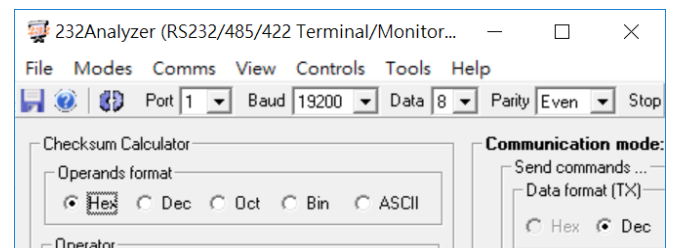
Item	Description	Quantity
VGA Cable	D-Sub 15Pin Male to Male, 1.2 Meter	1
Audio cable	3.5mm Headset Jack, Male to Male, 1.2 Meter	1
AC-DC Adapter	4.16A/12V with CE/FCC/CCC/UL/RoHS/PSE/JET Certification	1
Power cord	*Country Specific	1
USB Cable	A type, Male to Male, 1.5 Meter *(only for touch monitor)	1

## Supported OS

Windows	Win7, Win8, Win10 ↑
Linux	Kernel 2.6.24 ↑
Android	3.0 ↑
Mac	10.5.x ↑ (Intel CPU)

## Other Specification Options

OSD Control		
	Item	Description
<b>Standard</b>	<b>Button</b>	<b>Rear Physical Button</b>
Option 1	Software Remote Control	Software Remote Control by RS232/Serial Port
Option 2	Auto Dimming	Auto Brightness Adjusting by Built-in Light Sensor

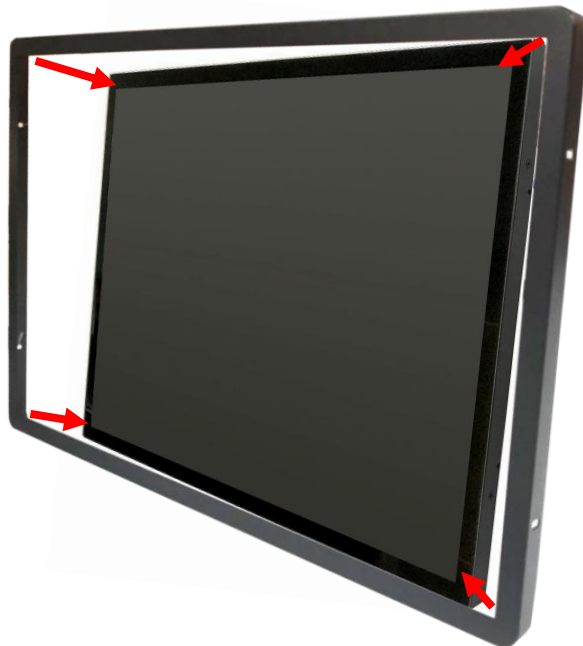


\* Software Remote

Active Stylus Option	
Technology	Active Capacitive Coupled
Working Frequencies	90~250 KHZ
Pressure Level	256~1024 Levels
Side Buttons	2 Side Buttons (Eraser, Barrel)
Active Tip Force	5~25g
Max. Tip Force	400g



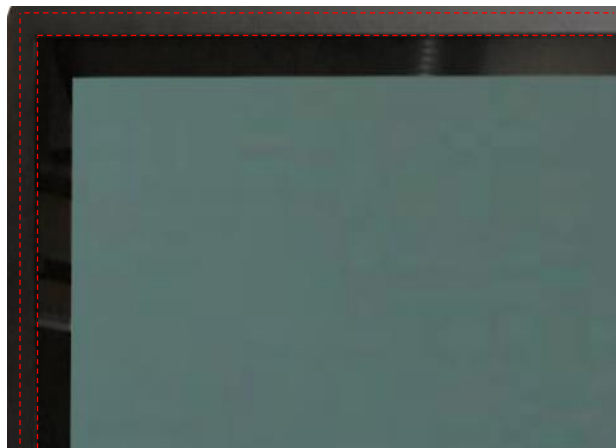
## Optional Accessories (Front Cover)



The standard **NTSP190** is true flat surface, with only 1mm metal bezel. To protect the corners of the touch screen, the **Front Cover** can be added.



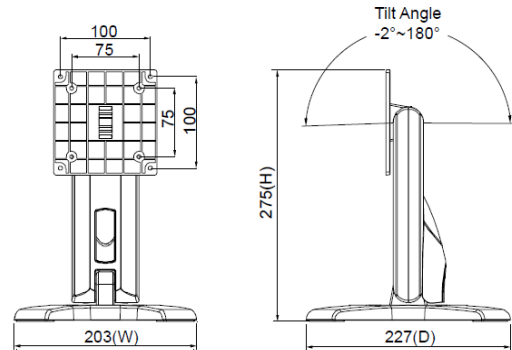
The watertight gasket can be added between the **Front Cover** and **NTSP190**. It complies IP65 on front.



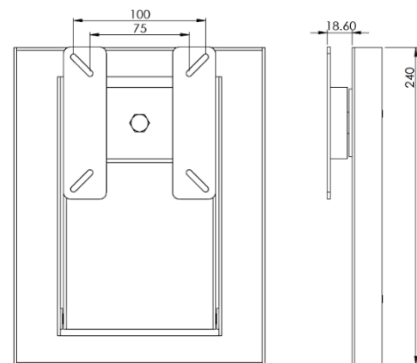


### Optional Accessories (Desktop Stand)

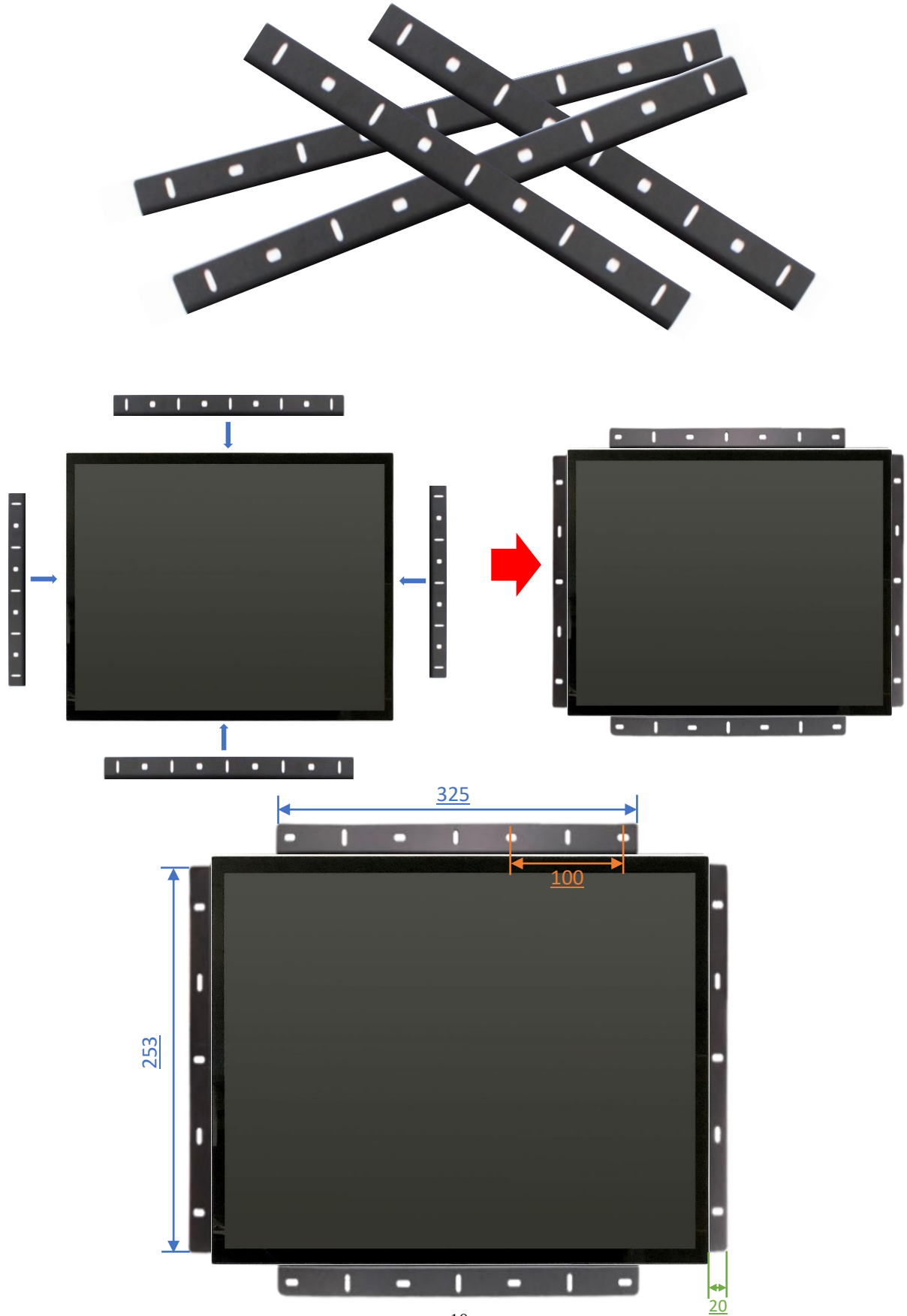
Item	B Stand	Part No.	DST-0B002/DST-1B002
Mounting Pattern	100x100 / 75x75 mm	Dimension (WxHxD)	203x275x227 mm
Material	Steel/Plastic/Aluminum	Net Weight	1.8 KG
Tile(Hinge)	-2° ~+180°	Support Max. Weight	15 KG



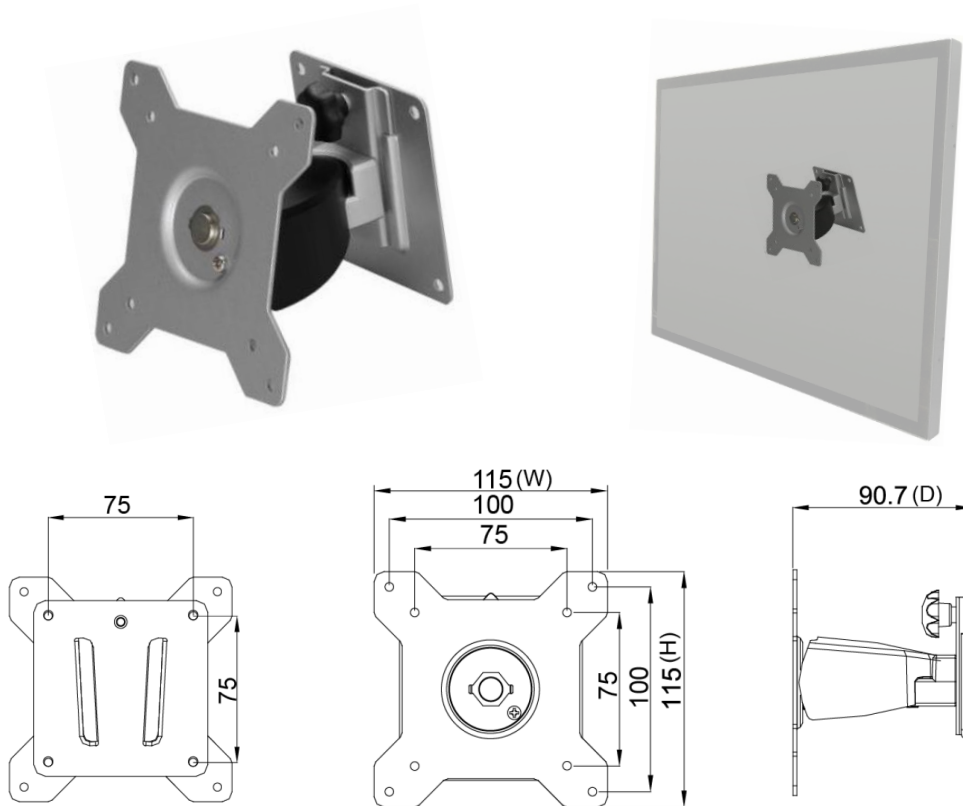
Item	Z Stand	Part No.	DST-0BZ01/DST-1BZ01
Mounting Pattern	100x100 / 75x75 mm	Dimension (WxHxD)	190x240x41.6
Material	SECC	Net Weight	2.6 KG
Tile (Hinge)	±360°	Support Max. Weight	15 KG



### Optional Accessories (Open-frame Brackets)



### Optional Accessories (Wall Mount Bracket)



### Packing Information



Dimensions of Carton	<b>515x170x448 mm</b>
Net Weight	<b>≤4.3 KG</b>
Gross Weight	<b>≤5.8 KG</b>

## Physical Specifications

Dimension (Max)	<b>402x331x41(±1)mm</b>	Net Weight	<b>4.3 KG</b>
VESA Mounting	<b>100x100 mm</b>	Gross Weight	<b>5.8 KG</b>

