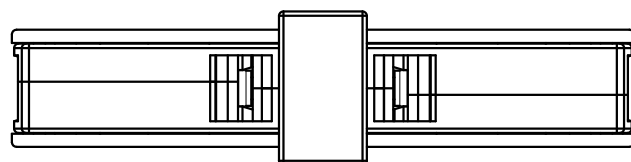
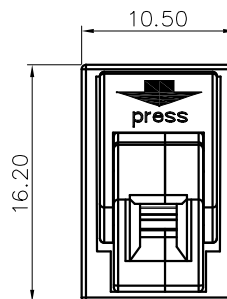
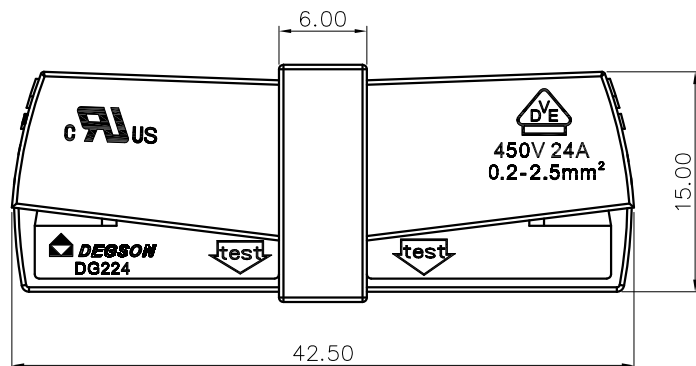
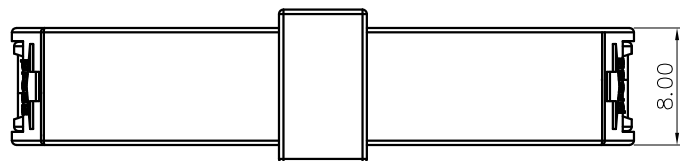


REVISION RECORD				
REV	ECN	DESCRIPTION	DRFT	DATE



NOTES1:

- UL Standard
- 1.Rated voltage/current : 300V / 22A
- 2.Wire range : 22~12AWG

IEC Standard

- 1.Rated voltage/current : 450V / 24A
- 2.Wire range : 0.2~2.5mm²

NOTES2:

- 1.Dimension shall be interpreted per ASME Y14.5-2009
- 2.Pitch : 8.00mm, Poles : N=01P
- 3.Stripping length : 9~11mm
- 4.Withstanding voltage : AC2500V/1Min
- 5.Operating temperature: -40°C~+105°C
- 6.Undimensioned tolerances:

Pitch range in mm		Nominal dimension range in mm				-	∩	□
TO	Over	TO	Over	TO	Over	TO	Over	TO
6	6	10	10	30	30	60	60	100
	10	24	24	60	60	100	100	150
								0.1/10
								<
								±2*

7.RoHS Compliance

DG224 - 8.0 - 01P - 1Y - 00A (H)
 (Series No.) (Pitch) (Poles) (Single Pitch) (Color): 1.(Grey)
 2.(Blue)
 3.(Black)
 4.(Green)
 5.(Orange)
 6.(Red)
 7.(Transparent)
 8.(Yellow)
 9.(White)
 (RoHS)
 00A-(Standard)

DETACHED LISTS	PART NO.:	/			宁波高松电子有限公司 NINGBO DEGSON ELECTRICAL CO., LTD	
	APPD:	/	NAME: DG224-8.0-01P-1Y-00A(H)			
	CHKD:	/				
	DRFT:	/	TITLE: CUSTOMER DRAWING	REV	DO	
	THIRD ANGLE PROJECTION		DRAWING NO.:	/	SHEET	1/1
		MM (INCH)	DO NOT SCALE DRAWING	SCALE	1:1	