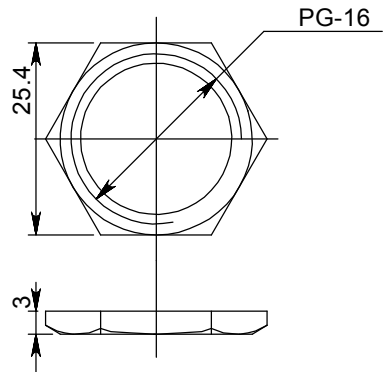
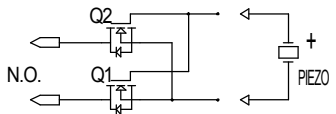
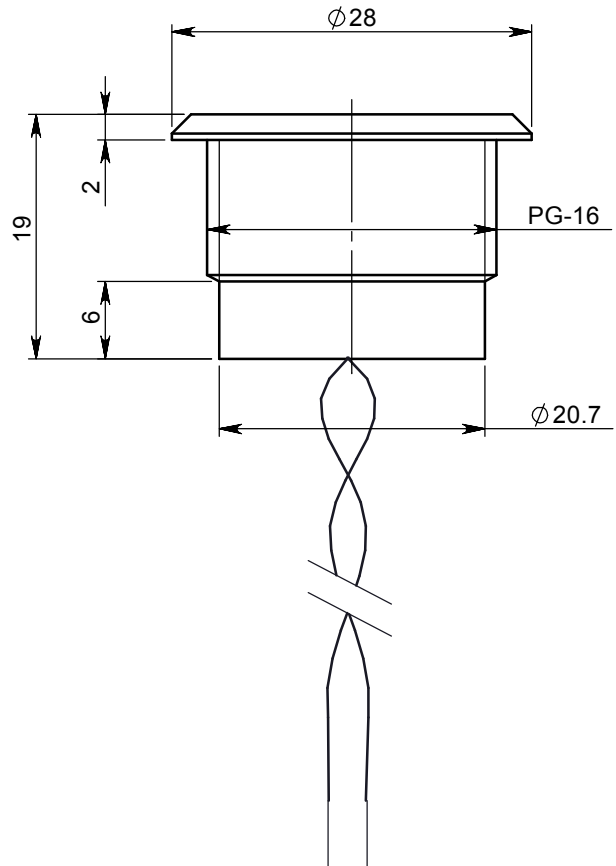


Scale 1:1



**SPECIFICATIONS:**

HOUSING MATL.: STS 303/304  
 CONNECTION: 2 RED PVC WIRES, 24 AWG, 300 ±10mm LONG  
 SWITCHING VOLTAGE: 1-24 V AC/DC  
 SWITCHING CURRENT: 0.2 A  
 SWITCH RESISTANCE "ON": <20 Ohm  
 SWITCH RESISTANCE "OFF": >5 MOhm  
 ACTUATION FORCE: 3-5 N  
 MAKE IMPULSE TIME: 125-300 mSEC.  
 OPERATING AND STORAGE TEMP.: -40°C TO +125°C



Nut material: Brass (Ni coated)

			Tolerance ±0.1			
Itemref	Quantity	Title/Name, designation, material, dimension etc			Article No./ Ref.	
Approved by Yair Maimon Approved By YairM at 23 רבוסקוא 08 10:51		Designed by Lilya Tavzland Approved By LilyaT at 23 רבוסקוא 08 10:50		Filename 10402614-02_905-410	Draw. Num. 905-410	Scale -
Baran House 8 Omarim St. Omer Industrial Area 84965 Israel Tel. 972-8-6200020 fax 972-8-6200021				CSMA1AAW2N STS 40M N.O 0.2A AC/DC 24V		
Cat. Num. 10402614-02				Edition 1	Sheet 1/1	

