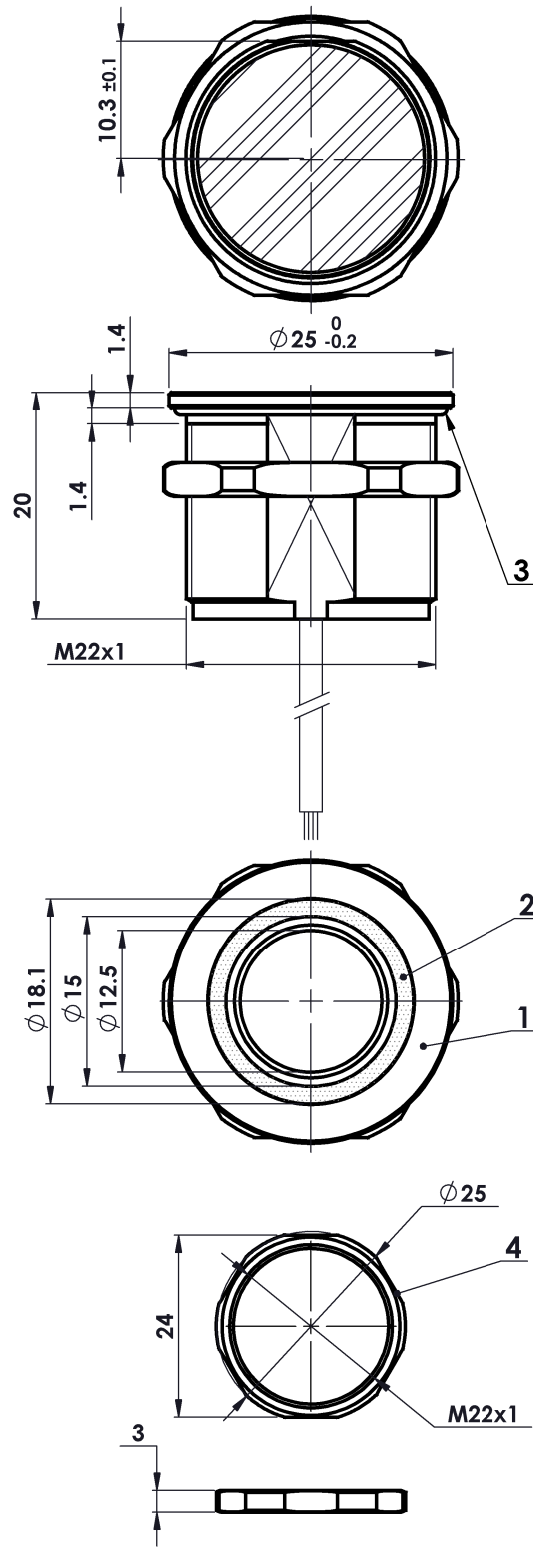
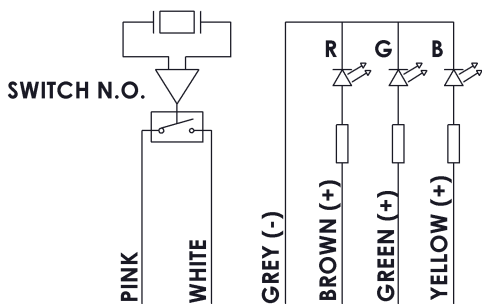


Scale 1:1

PIEZO SWITCH



SPECIFICATIONS:

- SWITCHING VOLTAGE: 1 - 24V AC/DC
- SWITCHING CURRENT: 1A max
- SWITCH RESISTANCE "ON": <20 Ω
- SWITCH RESISTANCE "OFF": >5 M Ω
- ACTUATION FORCE: 3-5 N
- MAKE IMPULSE TIME: 125-300 mSEC
- OPERATING TEMP: -20°C TO +70°C
- STORAGE TEMP: -40°C TO +85°C

- LED Operating Voltage : 12V DC max
- RED LED current consumption : 10 mA max.
- GREEN LED current consumption : 16 mA max.
- BLUE LED current consumption : 16 mA max.

CONNECTOIN: CABLE LIYY 6X0.14, LENGTH 300±5mm

FINISH:

ANODIZE THICKNESS: 17-19 μ

ITEM NO.	QTY.	DESCRIPTION	PART NUMBER
1	1	HOUSING, ALUMINIUM 6061 T651	81018733
2	1	ILLUMINATED RING, WHITE DELRIN	81080253
3	1	O-RING, NBR (Acryliannitrile-Butadiene Rubber), 22x1	81500015
4	1	NUT, BRASS (Ni COATED), M22X1	07099113
	A4	TOLERANCE ± 0.1	
Itemref	Quantity	Title/Name, designation, material, dimension etc	Article No./Reference
Approved by: Roi Ben Shitrit		Designed by: Inna Hatkevich	Filename: 13700502_910-253
			Drawing_n: 910-253
			Scale: 1.5:1
			Draw Date: 14.07.2019
		18 Ha-Tzoran Blvd, Industrial Park Kiryat Gat 8258100 Israel Tel. + 972 (0) 73 2511020 Fax. + 972 (0) 73 2511021	
		SBR22ABC8121N, 12V RGB(-)LED, 0.3m	
		Cat num: 13700502	Edition 1 Sheet 1/1