

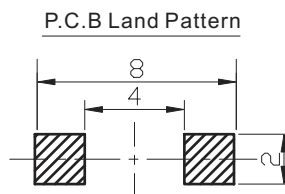
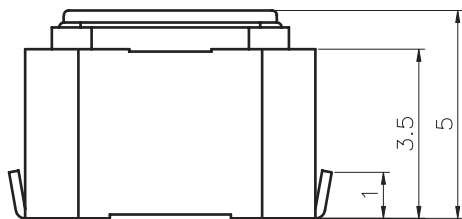
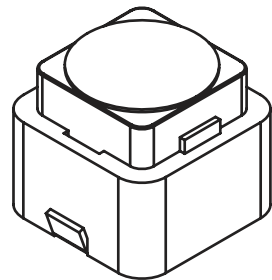
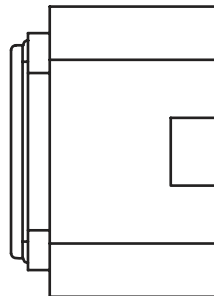
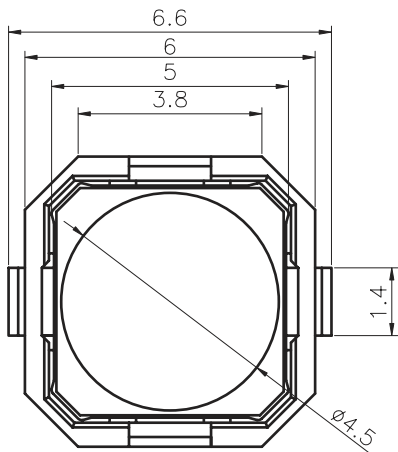
CONN THERM

Switch

6x6mm Tact Switch Series

ELECTRICAL

1. Rating: 20mA 12Vdc
2. Contact Resistance : 100mΩ Max.
3. Insulation Resistance: 100MΩ Min.
4. Dielectric Strength : AC250V(50/60Hz for 1minute)
5. Electrically Life: 100, 000cycles
6. Environment temperature: -20°C~+70°C
7. Operating Force: 180/250(±30gf)
8. Seal temperature: 260°C~ 280°C



Circuit Diagram

