

# CONNTERM

## Switch

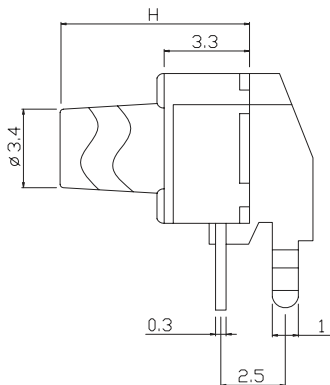
### 6x6 Tact Switch Series

#### ELECTRICAL

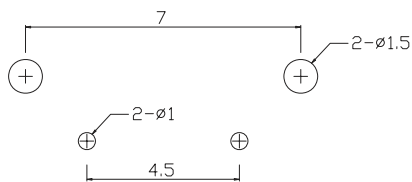
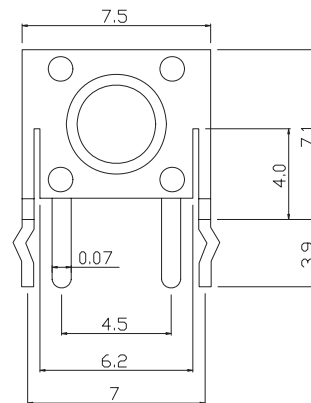
1. Rating: 50mA 12VDC
2. Contact Resistance : 50mΩ max(initial)
3. Insulation Resistance: 100MΩ(minDC 250V)
4. Dielectric Strength : AC250V(50/60Hz for 1minute)
5. Electrically Life: 100000cycles
6. Environment temperature: -20°C~+70°C
7. Operating Force: 180/250(±30gf)
8. Seal temperature: 260°C~ 280°C



#### Dimension (unit: mm)



| H    |
|------|
| 4.3  |
| 5.0  |
| 6.0  |
| 7.0  |
| 8.0  |
| 13.0 |



PCB LAYOUT