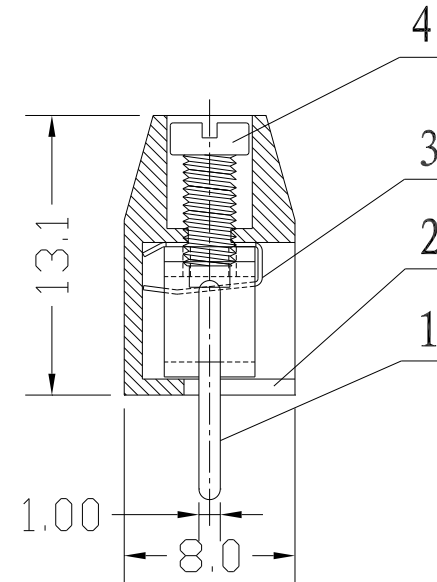
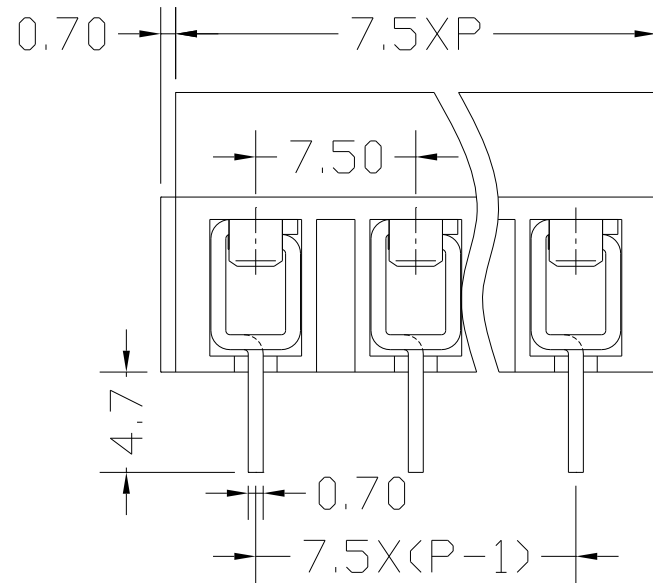


序号/RevNo.	名称/Title	文件编号/File No.
1	XY705V端子	
2	XY705V塑件	
3	XY305簧片	
4	XY305螺丝	

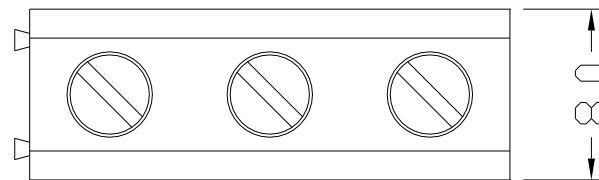


250V 16A 2.5mm<sup>2</sup>

Poles: 2P&3P

Pitch: 7.5mm&15mm

Pin Dimension: 0.7X1.0mm



## Materials

Housing: PBT(30% Glass filled)

Solder Pin: Brass,0.7t,Tin Plated.

Screw: M2.5,Steel,Zinc Plated.

Wire Protector0.2t,Stainless steel.

设计/Designed by	绘图/Drawing by	审核/Checked by	批准/Approved by	未注公差 General Tolerance	
				x. ±0.2	x.° ±2°
				.x ±0.1	.x° ±1°
				.xx ±0.05	.xx° ±0.5°
				.xxx ±0.01	
 新亚电子 XINYA ELECTRONIC CO.,LTD				图名/Title	
				XY705V产品图	
文件编号/File No. 页序/Sheet				备注/Remark	
				单位/Units: mm	

序号/RevNo.	更改记录/Revision note	签名/Signature	日期/Date