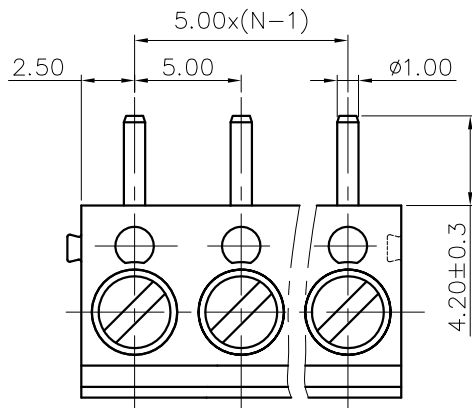


REVISION RECORD				
REV	ECN	DESCRIPTION	DRFT	DATE



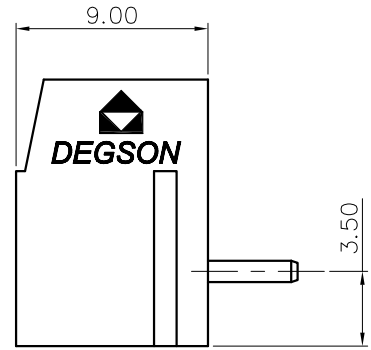
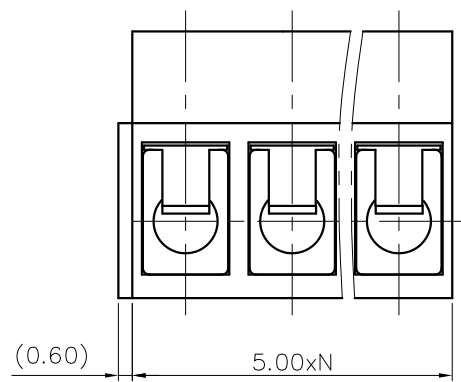
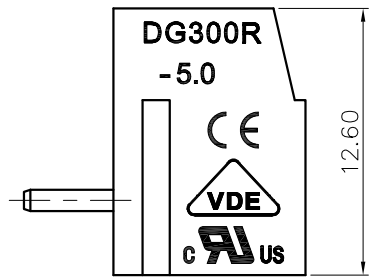
NOTES1:
 UL Standard
 1. Rated Voltage/Current : 300V / 10A
 2. Torque Value : M3 , 4.43Lb.in
 3. Wire Range : 22~14AWG

IEC Standard
 1. Rated Voltage/Current : 250V / 24A
 2. Torque Value : M3 , 0.5N.m
 3. Wire Range : 1.0~2.5mm²

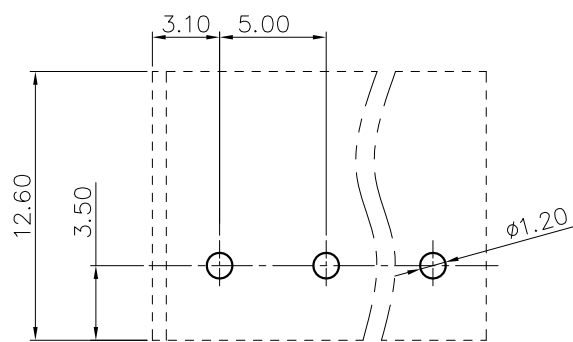
NOTES2:
 1. Dimension shall be interpreted per ASME Y14.5-2009
 2. Pitch : 5.0mm, Poles : N=02~24P
 3. Stripping length : 5~6mm
 4. Withstanding Voltage : AC2000V/1Min.
 5. Operating temperature : -30°C~+120°C
 6. Undimensioned Tolerances:

Pitch Range In mm		Nominal Dimension Range In mm					
TO	Over	TO	Over	TO	Over	0.1/10	
6	10	10	30	60	100	150	<
±0.15	±0.20	±0.30	±0.30	±0.50	±0.70	±1.00	±2*

7. RoHS Compliance



DG300R - 5.0 - XXP - 1Y - 00A (H)
 (Series No.) (Pitch) (Poles) (Single Pitch) (Color): 1.(Grey)
 2.(Blue)
 3.(Black)
 4.(Green)
 5.(Orange)
 6.(Red)
 7.(Transparent)
 8.(Yellow)
 9.(White)



PCB LAYOUT

DETACHED LISTS	PART NO.:	NINGBO DEGSON ELECTRICAL CO., LTD			
	APPD:	NAME: DG300R-5.0-XXP-1Y-00A(H)			
	CHKD:	TITLE: CUSTOMER DRAWING		REV	DO
	DRFT:	DRAWING NO.:		SHEET	1/1
THIRD ANGLE PROJECTION		MM (INCH)	DO NOT SCALE DRAWING	SCALE	1:1