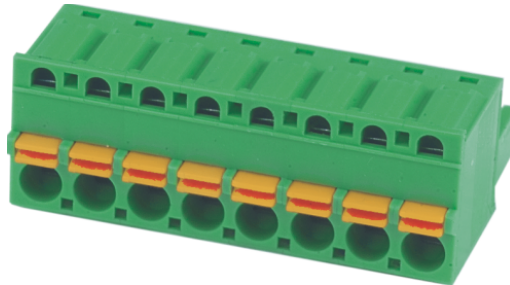


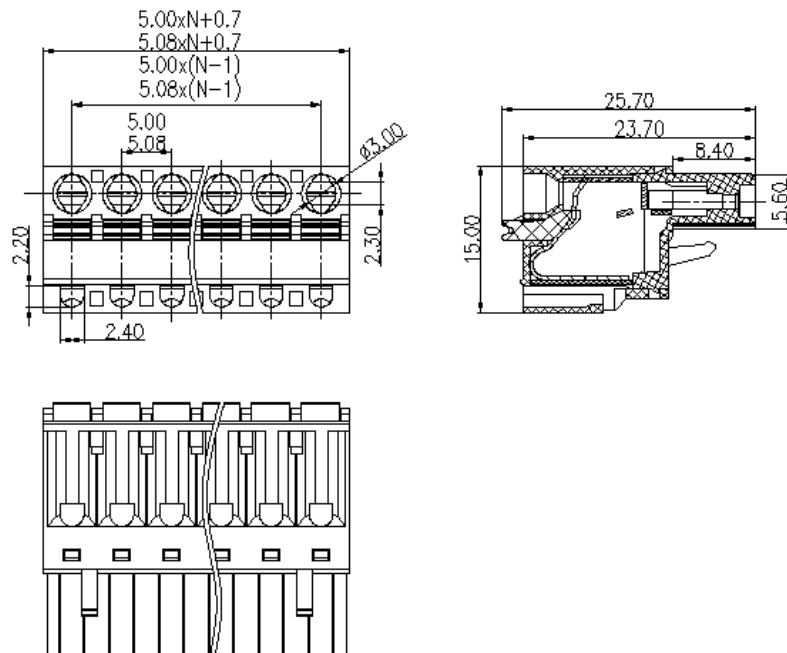


DEGSON ELECTRONICS CO., LTD.

Product Specification



2EDGKD-5.0
2EDGKD-5.08



APPROVAL



Electrical

Standard

UL

IEC

Rated voltage

300V

320V

Rated current

10A

20A

Wire range

26-12AWG

0.2-2.5mm²

Rated impulse voltage

4KV

Mechanical

Ambient temperature

-40 °C ~ +105 °C

Strip length

10mm

Dimensions

Pitch

5.0mm(.197") 5.08mm(.200")

Poles

2P-16P

Material

Housing

PA66, UL94 V-0

Contact

Phosphor bronze

Wire guard

Stainless steel

HOW TO ORDER :

- P - - X X X
 Customer Request

Series number

No. of pole

1	Single pitch
2	Double pitch

Color

1	Grey	4	Green	7	Trans Parent
2	Blue	5	Orange	8	Yellow
3	Black	6	Red	9	White

mm
(INCH)



DEGSON ELECTRONICS CO., LTD.

THROANGLE PROJECTION

NAME

2EDGKD-5.0 2EDGKD-5.08