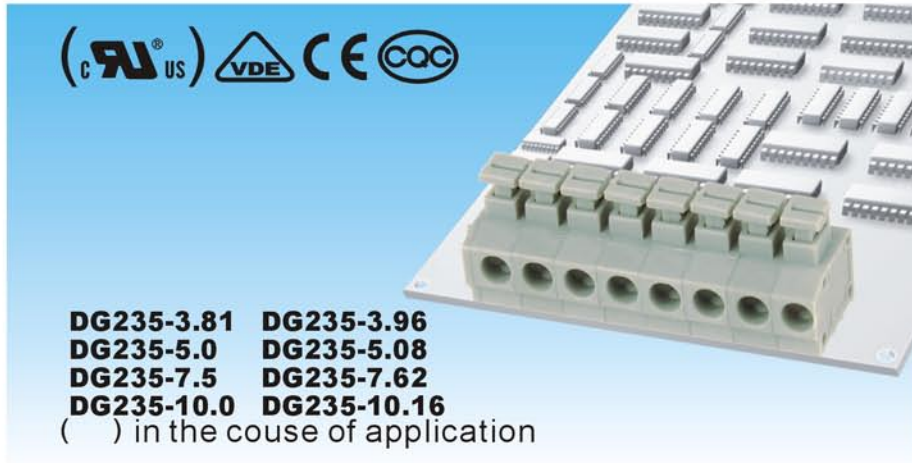


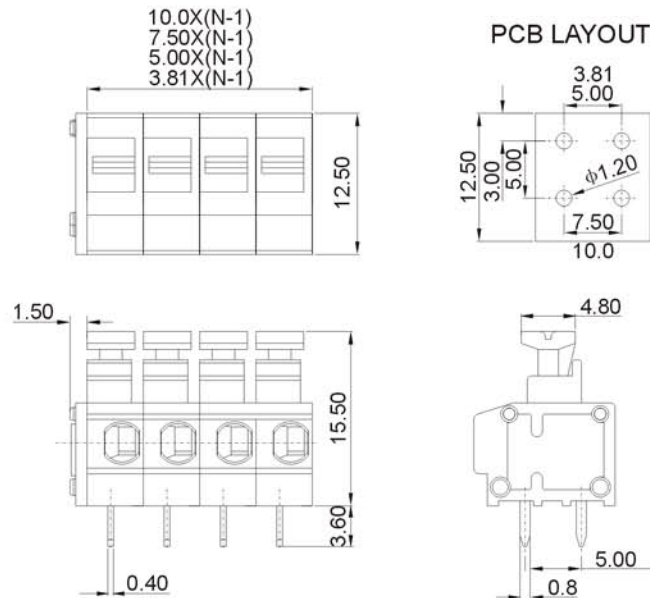


DEGSON ELECTRONICS CO., LTD.

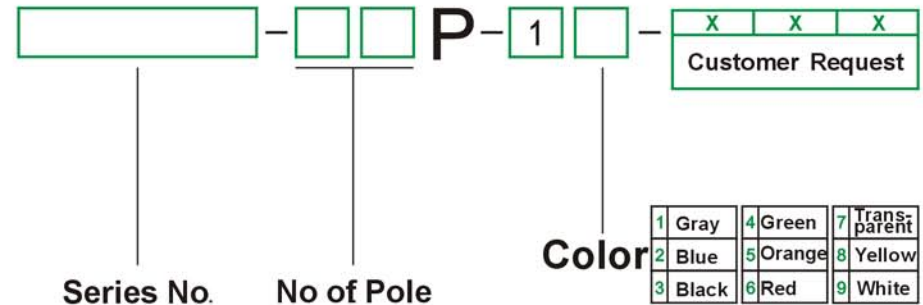
Product Specification



Material	
Wire guard:	Stainless steel
Pin header:	Phosphor bronze, Tin plated
Housing :	PA66, UL94V-0
Electrical	
Rated voltage :	300V
Rated current :	8A
Contact resistance :	20mΩ
Insulation resistance :	5000MΩ /DC1000V
Withstanding voltage:	AC2000V/1Min
Wire range :	20-16AWG 1.5mm ²
Mechanical	
Temp. Range :	-40°C~+105°C
Strip length :	9-10mm



HOW TO ORDER:



		DEGSON ELECTRONICS CO., LTD.
NAME		DG235-3.81 DG235-3.96 DG235-5.0 DG235-5.08 DG235-7.5 DG235-7.62 DG235-10.0 DG235-10.16