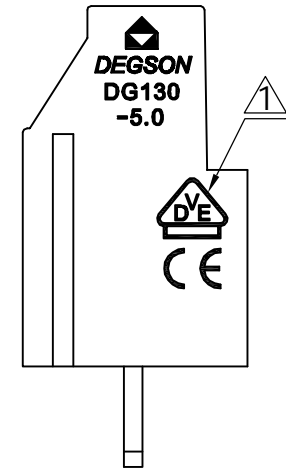
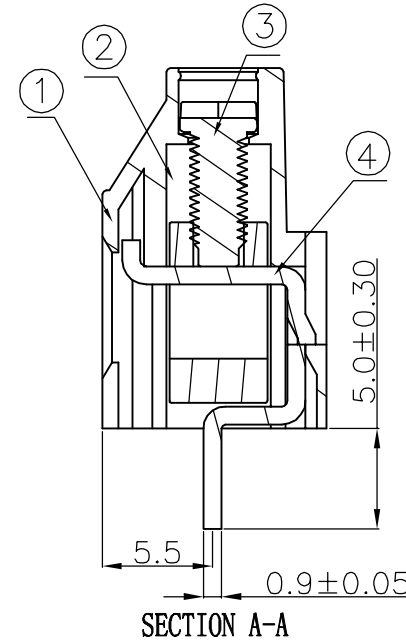
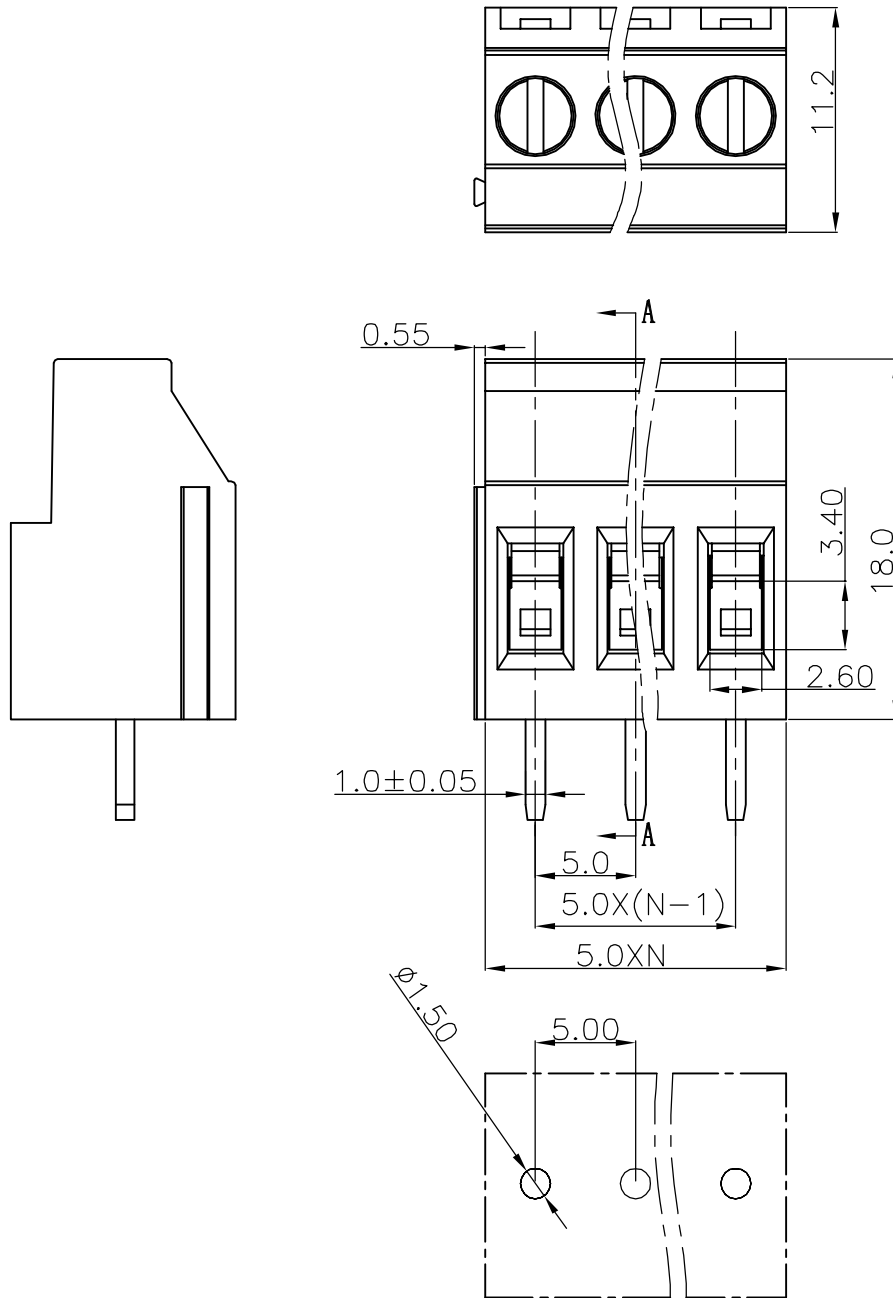


REVISION RECORD				
REV	ECO	DESCRIPTION	DRFT	DATE
△		增加VDE, CE刻字	Zengy	03/30/09"

Notes:

1. Pitch: 5.0mm , Poles: 2-XXP
2. Rated voltage/current: UL1059 300/20A
VDE 250V/20A
3. Operation temperatures: -40°C~+105°C
4. Withstanding Voltage: AC2000V/1Min
5. Insulation Resistance: 5000MΩ /DC1000V
6. Wire Range: 26~12AWG, 0.5~2.5mm²
7. Max. Torque Value: M3, 5.1kgf.cm
8. Undimensioned Tolerances:

Pitch range in mm			Nominal dimension range in mm				
to	over	over	to	over	over	over	
6	6 to 10	10 to 24	30	30 to 60	60 to 100	100 to 150	150
±0.10	±0.15	±0.25	±0.2	±0.3	±0.5	±0.7	±1.0
							0.05/10



4	DG130-Pin header	4087B00010 (H)	XX	Barss	SnCe plated
3	DG129-Screws-M3	S000001430 (H)	XX	Steel	Cr ³⁺ Zn
2	DG129-Cage	X000000200 (H)	XX	Brass	Ni plated
1	DG130-5.0-Housing	4087A0YXXA (H)	1	PA66	UL94V-0
ITEM	NAME OF PART	NO. OF PART	Q'TY	MATERIAL	NOTES

DFTO LINDA DATE 05/24/08" CHKD DATE MFO DATE APPVL DATE		宁波高正电子有限公司 DEGSON ELECTRONICS CO., LTD	
TOLERANCES EXCEPT AS NOTED MM .0 ± ± .00 ± ± .000 ± ±		NAME DG130-5.0-XXP-1Y-00A (H)	
ANGLES ± 1° G.E. : FINISH : SCALE : 1:1		DRAWING NO. DG130-5.0-E01 /PART NO. SIZE A3 REV T1 03/30/09"	
THIRD ANGLE PROJECTION		DO NOT SCALE DRAWING SHEET OF	