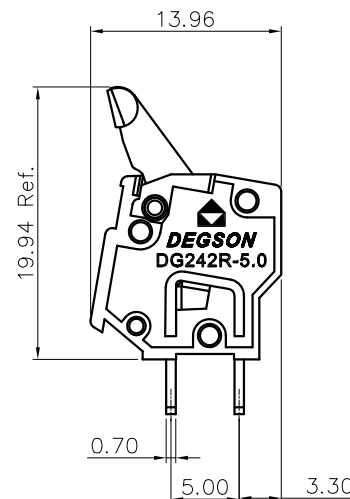
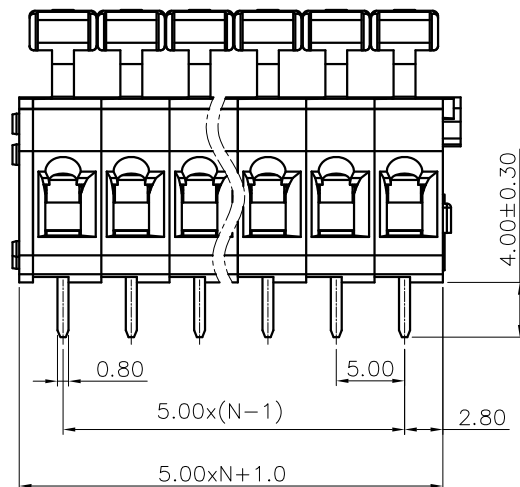
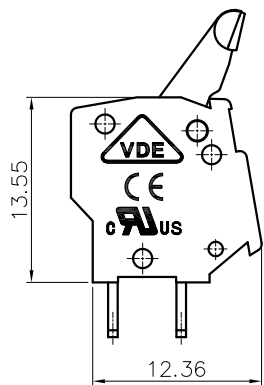


REVISION RECORD				
REV	ECN	DESCRIPTION	DRFT	DATE



NOTES1:

UL Standard

- 1. Rated voltage/current : 300V / 15A
- 3. Wire range : 28~12AWG

IEC Standard

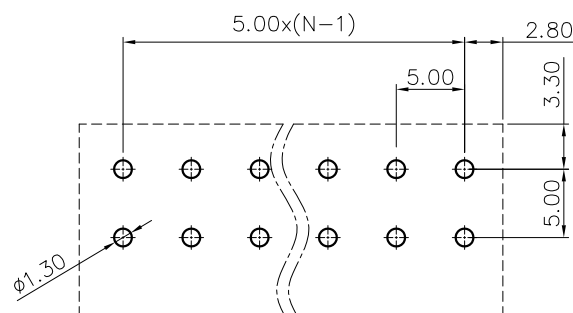
- 1. Rated voltage/current : 450V / 17A
- 3. Wire range : 0.2~2.5mm<sup>2</sup>

NOTES2:

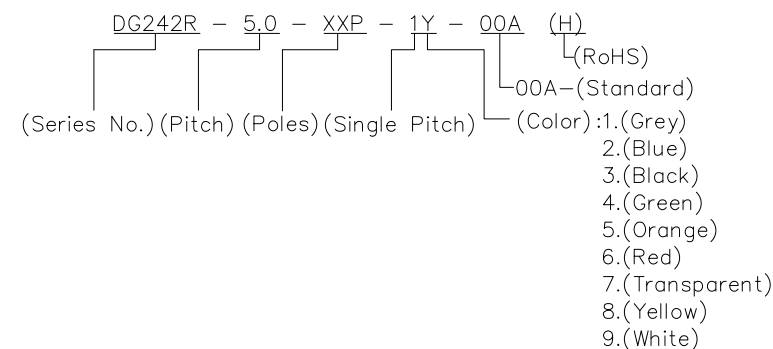
- 1. Dimension shall be interpreted per ASME Y14.5-2009
- 2. Pitch : 5.00mm, Poles : N=01-XXP
- 3. Stripping length : 5~6mm
- 4. Withstanding voltage : AC2500V/1Min
- 5. Operating temperature: -40°C~+105°C
- 6. Undimensioned tolerances:

Pitch Range In mm		Nominal Dimension Range In mm						-	∩	∇
TO	Over TO	Over TO	TO	Over TO	Over TO	Over TO	0.1/10			
6	10	10	30	30	60	100	<			
±0.15	±0.20	±0.30	±0.30	±0.50	±0.70	±1.00	±1.30	±2'		

7. RoHS Compliance



PCB LAYOUT



DETACHED LISTS	PART NO.:	宁波高松电子有限公司 NINGBO DEGSON ELECTRICAL CO., LTD			
	APPD:	NAME: DG242R-5.0-XXP-1Y-00A(H)			
	CHKD:	TITLE: CUSTOMER DRAWING		REV	D0
	DRFT:	DRAWING NO.:		SHEET	1/1
THIRD ANGLE PROJECTION		MM (INCH) DO NOT SCALE DRAWING	SCALE	1:1	