





| | | | | |
|---|--|------------|----------------------|---|
|  | DATE | 16-09-2019 | SPECIFICATION | Changzhou Cre-sound Electronics Co., Ltd |
| | PAGE | 1/9 | | www.cre-soundbuzzer.com |
| | Version | A/1 | | www.wj-lianhua.com |
| | <i>MODEL NAME: LET7525AS-03L-2.7-15-RM</i> | | | |

SPECIFICATION FOR APPROVAL


SMD ELECTRO-MAGNETIC TRANSDUCER

| | |
|------------|---|
| Model Name | LET7525AS-03L-2.7-15-RM |
| Note |  |

| Product Photo | Cre-sound |
|---|-----------------------|
|  | DRAWN : 周文占 |
| | CHECKED : 许海 |
| | APPROVED : 宋雪琪 |
| Customer Confirmation : | |

| | | | | |
|---|--|------------|----------------------|---|
|  | DATE | 16-09-2019 | SPECIFICATION | Changzhou Cre-sound Electronics Co., Ltd |
| | PAGE | 2/9 | | www.cre-soundbuzzer.com |
| | Version | A/1 | | www.wj-lianhua.com |
| | <i>MODEL NAME: LET7525AS-03L-2.7-15-RM</i> | | | |

| Alteration History | | | | | |
|--------------------|------|-------------------|---|--------------|----------|
| Change NO. | Note | Before of changes | After of changes | Reason | Revision |
| F20180619050 | 1 | 无 | Detailed Specification : MSL rating and notice | Inner change | A/1 |
| | | | | | |
| | | | | | |
| | | | | | |
| | | | | | |
| | | | | | |
| | | | | | |
| | | | | | |
| | | | | | |
| | | | | | |
| | | | | | |
| | | | | | |
| | | | | | |
| | | | | | |
| | | | | | |
| | | | | | |
| | | | | | |
| | | | | | |
| | | | | | |
| | | | | | |
| | | | | | |
| | | | | | |

| | | | | |
|---|---------|------------|----------------------|---|
|  | DATE | 16-09-2019 | SPECIFICATION | Changzhou Cre-sound Electronics Co., Ltd |
| | PAGE | 3/9 | | www.cre-soundbuzzer.com |
| | Version | A/1 | | www.wj-lianhua.com |
| MODEL NAME: LET7525AS-03L-2.7-15-RM | | | | |

SMD ELECTRO-MAGNETIC TRANSDUCER

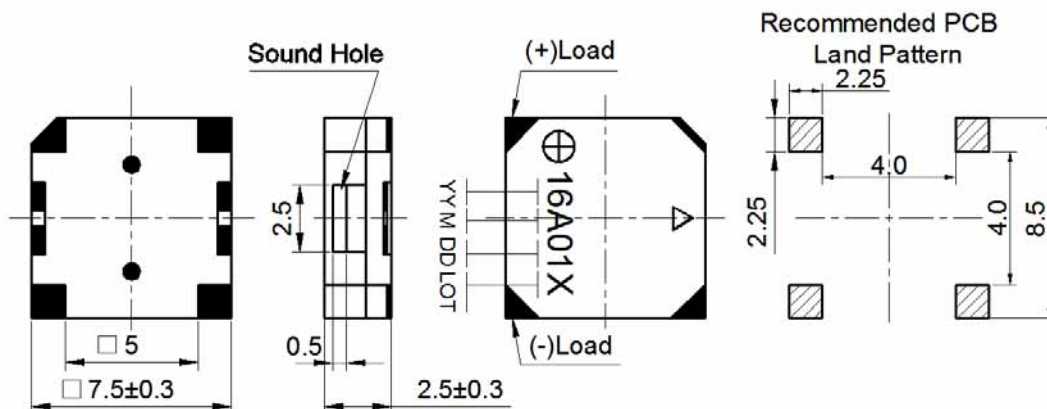
| No. | Technical terms | Value |
|-----|---------------------------------|-------------------------------|
| 1 | Rated Voltage (V) | 3 |
| 2 | Operating Voltage (V) | 2 ~ 5 |
| 3 | *Current Consumption (mA) | 80 |
| 4 | Coil Resistance () | 15 ± 3 |
| 5 | *Sound Output at 10cm (dB) | 85 |
| 6 | Resonant Frequency (Hz) | 2700 |
| 7 | Operating Temperature () | -40 ~ +105 |
| 8 | Storage Temperature () | -40 ~ +120 |
| 9 | Weight (g) | 0.3 |
| 10 | Housing Material | LCP |
| 11 | RoHS | Yes |
| 12 | MSL(Moisture Sensitivity Level) | 3(30 /60%RH 168H Floor life) |

*Applying rated voltage (Resonant frequency, 1/2 duty, Square wave)

Test Basic State: Temp(20 ± 2), Humidity(40~70%RH), Air pressure(860~1060hPa).

DIMENSIONS (UNIT: mm)

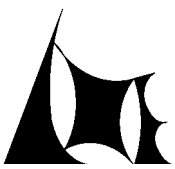
Tolerance: ± 0.5mm Except Specified



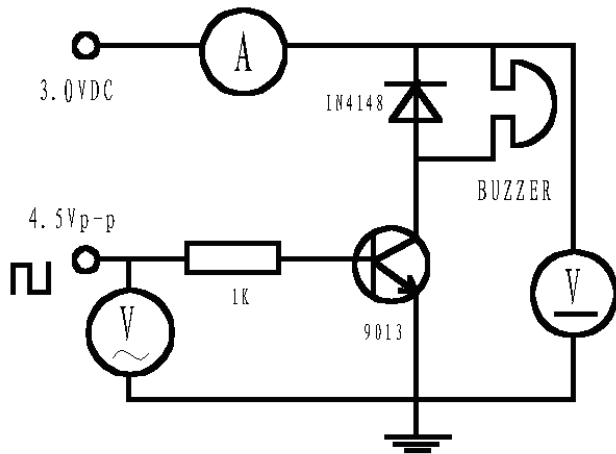
Changzhou Cre-sound Electronics Co., Ltd

Tel: +86-519-86322167; Fax: +86-519-86702455

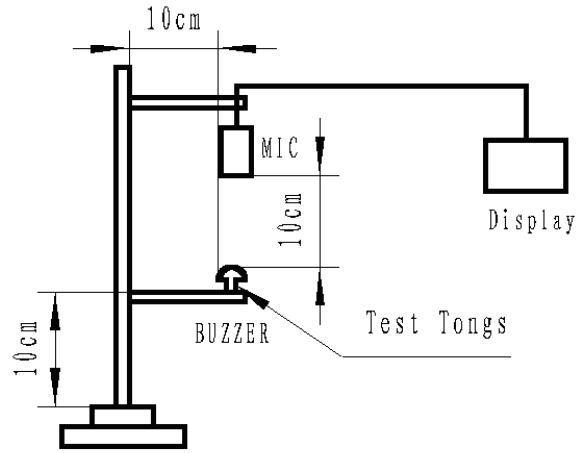
E-mail:sales2@wj-lianhua.com

| | | | | |
|---|--|------------|----------------------|--|
|  | DATE | 16-09-2019 | SPECIFICATION | Changzhou Cre-sound Electronics Co., Ltd |
| | PAGE | 4/9 | | www.cre-soundbuzzer.com |
| | Version | A/1 | | www.wj-lianhua.com |
| | <i>MODEL NAME: LET7525AS-03L-2.7-15-RM</i> | | | |

TEST METHOD:

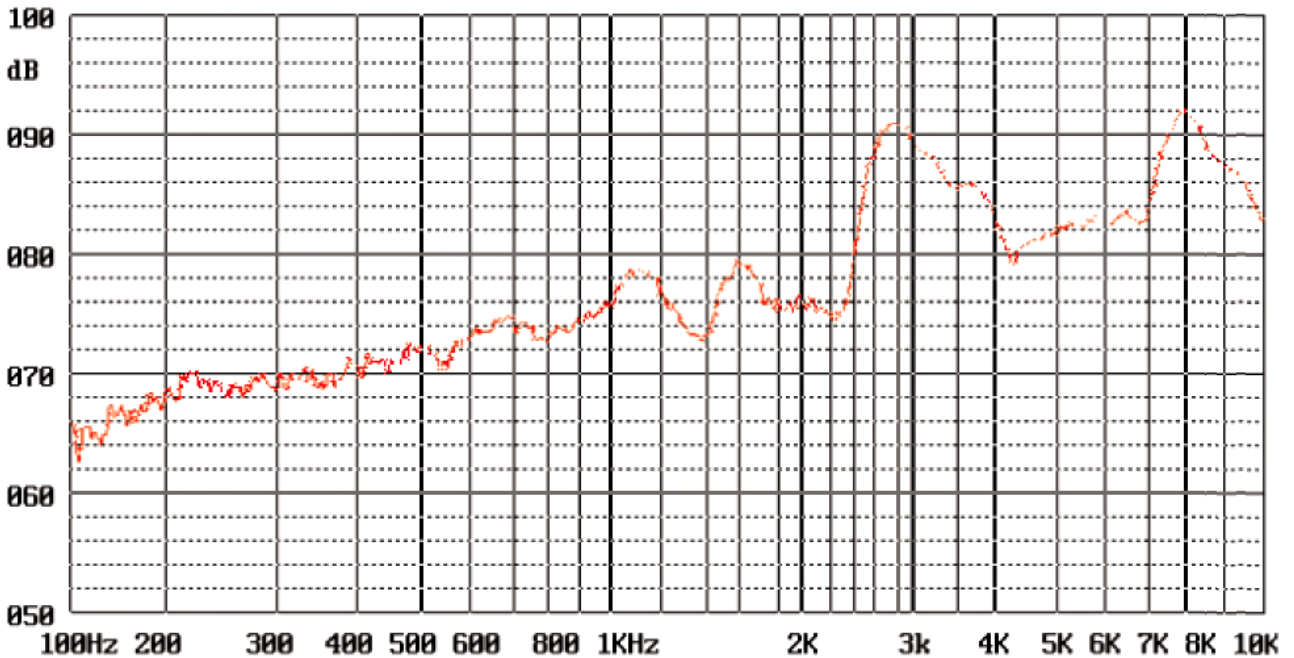



Test Circuit



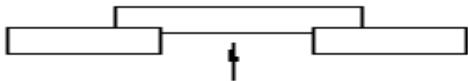
Test Equipms

FREQUENCY RESPONSE:



| | | | | |
|---|--|------------|----------------------|---|
|  | DATE | 16-09-2019 | SPECIFICATION | Changzhou Cre-sound Electronics Co., Ltd |
| | PAGE | 5/9 | | www.cre-soundbuzzer.com |
| | Version | A/1 | | www.wj-lianhua.com |
| | <i>MODEL NAME: LET7525AS-03L-2.7-15-RM</i> | | | |

RELIABILITY TEST:

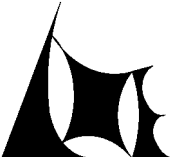
| NO. | ITEM | TESTING CONDITION | VARIANCE AFTER TEST |
|-----|---|---|---|
| 1 | High temp. storage | The part shall be capable of withstanding a storage temperature is +120 for 120 hours | After the test the part shall meet specifications without any degradation in appearance and performance except SPL shall be initial value $\pm 10\text{dB}$.(pls do the test after 2 hours when you finish the experiment) |
| 2 | Low temp. storage | The part shall be capable of withstanding a storage temperature is -40 for 120 hours | |
| 3 | Temp. Cycle | Total 5 cycles, 1 cycle consisting of -40 ± 2 , 30 minutes 20 ± 5 15 minutes 120 ± 2 , 30 minutes 20 ± 5 15 minutes | |
| 4 | Humidity Test | 40 ± 2 , 90 ~ 95% RH, 120 hours | |
| 5 | Vibration Test | The part shall be subjected to a vibration cycle is 10Hz in a period of 1 minute. Total peak amplitude shall be 1.52mm(9.3g). The vibration test shall consist of 2 hours per plane in each three mutually perpendicular planes for a total time of 6 hours. | |
| 6 | Shock | Sounder shall be measured after being applied shock (980m/s ²) for each three mutually perpendicular directions to each of 3 times by half sine wave. | |
| 7 | Drop Test | Dropped naturally from 700mm height onto the surface of 10mm thick wooden board. 2 directions-upper and side of the part are to be applied. | |
| 8 | Lead pull | The part shall be pulled with a force of 9.8N for 10 ± 1 seconds behind the part.  | After the test part shall meet specifications without any degradation in appearance and performance. |
| 9 | Recommended temp. Profile for Reflow Oven | Shown in Fig.1 | |

Warranty:For a period of one year from date of manufacture under normal operations.

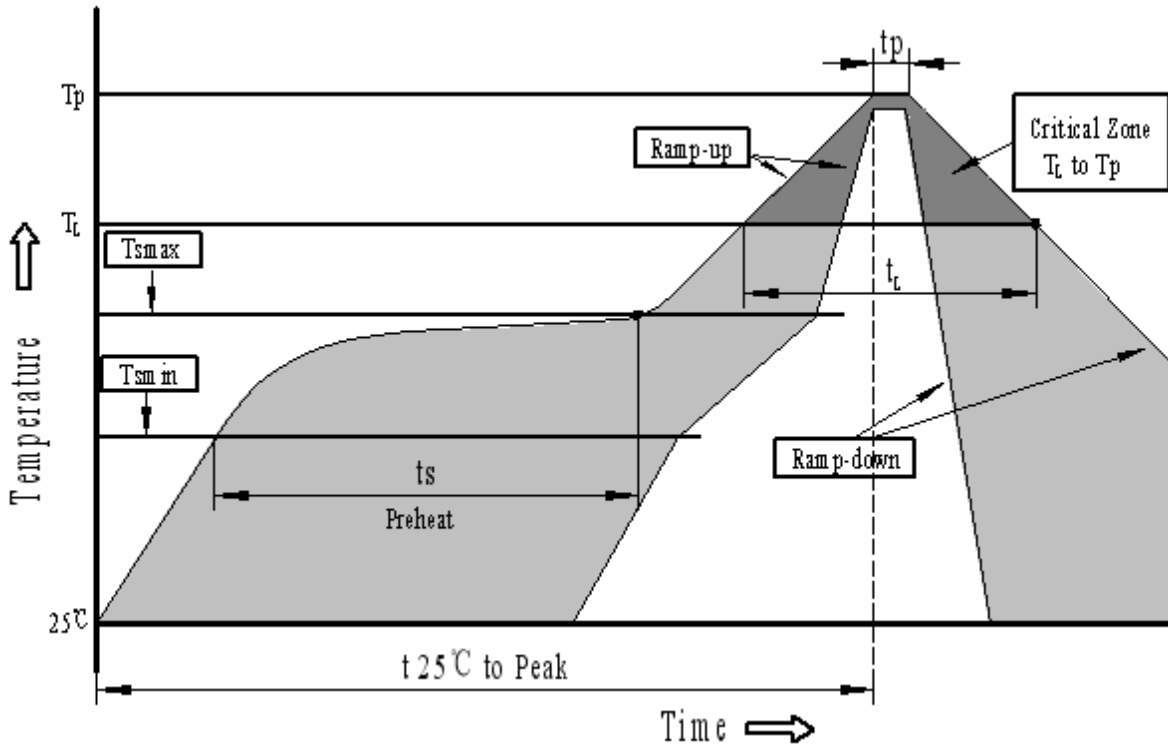
Changzhou Cre-sound Electronics Co., Ltd

Tel: +86-519-86322167; Fax: +86-519-86702455

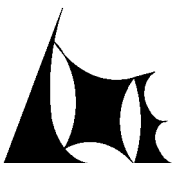
E-mail:sales2@wj-lianhua.com

| | | | | |
|---|---------|------------|----------------------|--|
|  | DATE | 16-09-2019 | SPECIFICATION | Changzhou Cre-sound Electronics Co., Ltd |
| | PAGE | 6/9 | | www.cre-soundbuzzer.com |
| | Version | A/1 | | www.wj-lianhua.com |
| MODEL NAME: LET7525AS-03L-2.7-15-RM | | | | |

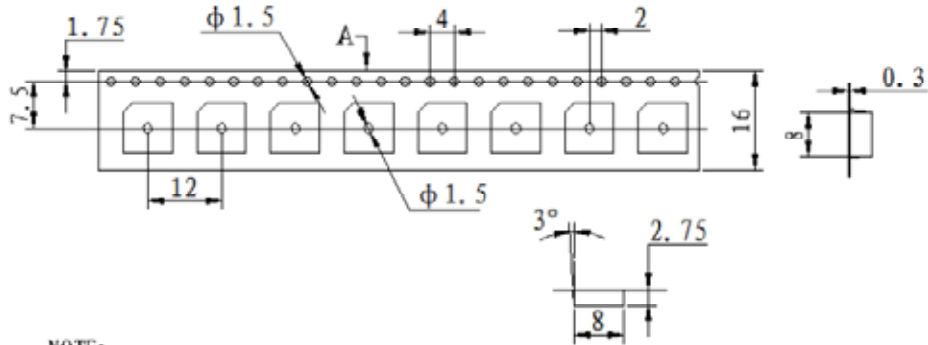
Recommended Temp. Profile for Reflow Oven (Fig.1)



| Profile Feature | Pb-Free Assembly |
|--|------------------|
| Average ramp-up rate(T_L to T_p) | 3 /second max. |
| Preheat | |
| -Temperature Min.(T_{Smin}) | 150 |
| -Temperature Min.(T_{Smax}) | 200 |
| -Temperature Min.(t_s) | 60 ~ 180 seconds |
| T_{Smax} to T_L | |
| -Ramp-up Rate | 3 /second max. |
| Time maintained above: | |
| - Temperature(T_L) | 217 |
| -Time(T_L) | 60 ~ 150 seconds |
| Peak temperature(T_p) | 250 +0/-5 |
| Time within 5 of actual Peak temperature (t_p) | 6 seconds max. |
| Ramp-down Rate | 6 /second max. |
| Time 25 to Peak Temperature | 8 minutes max. |

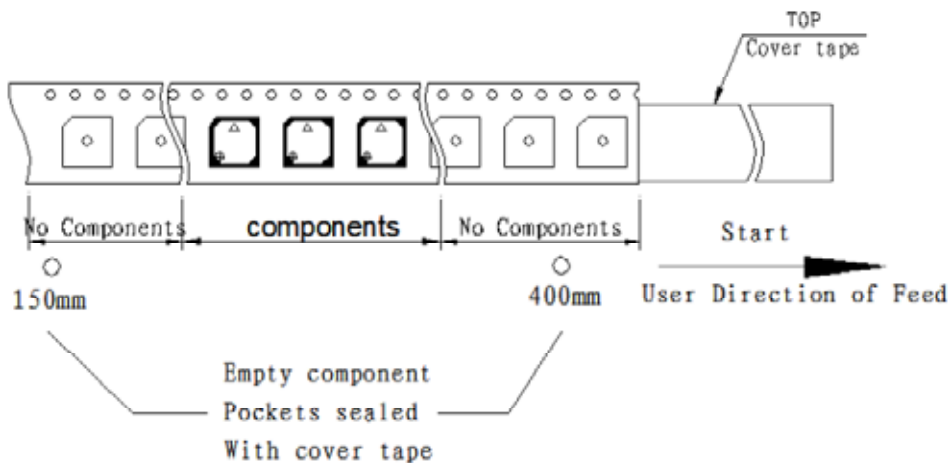
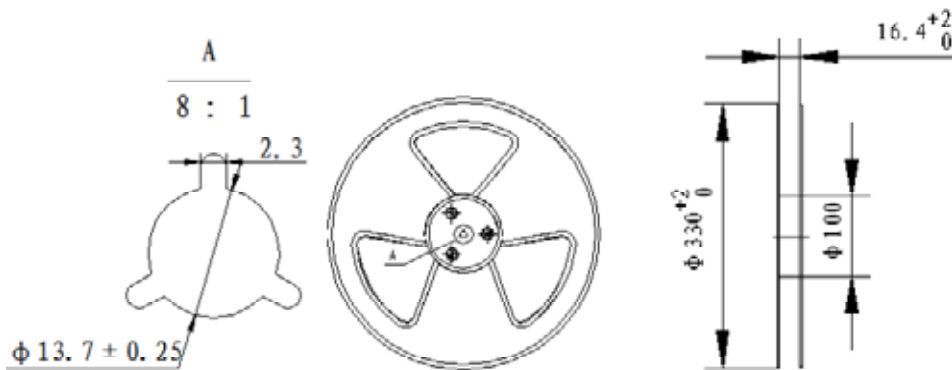
| | | | | |
|---|---------|------------|----------------------|---|
|  | DATE | 16-09-2019 | SPECIFICATION | Changzhou Cre-sound Electronics Co., Ltd |
| | PAGE | 7/9 | | www.cre-soundbuzzer.com |
| | Version | A/1 | | www.wj-lianhua.com |
| MODEL NAME: LET7525AS-03L-2.7-15-RM | | | | |


PACKING:



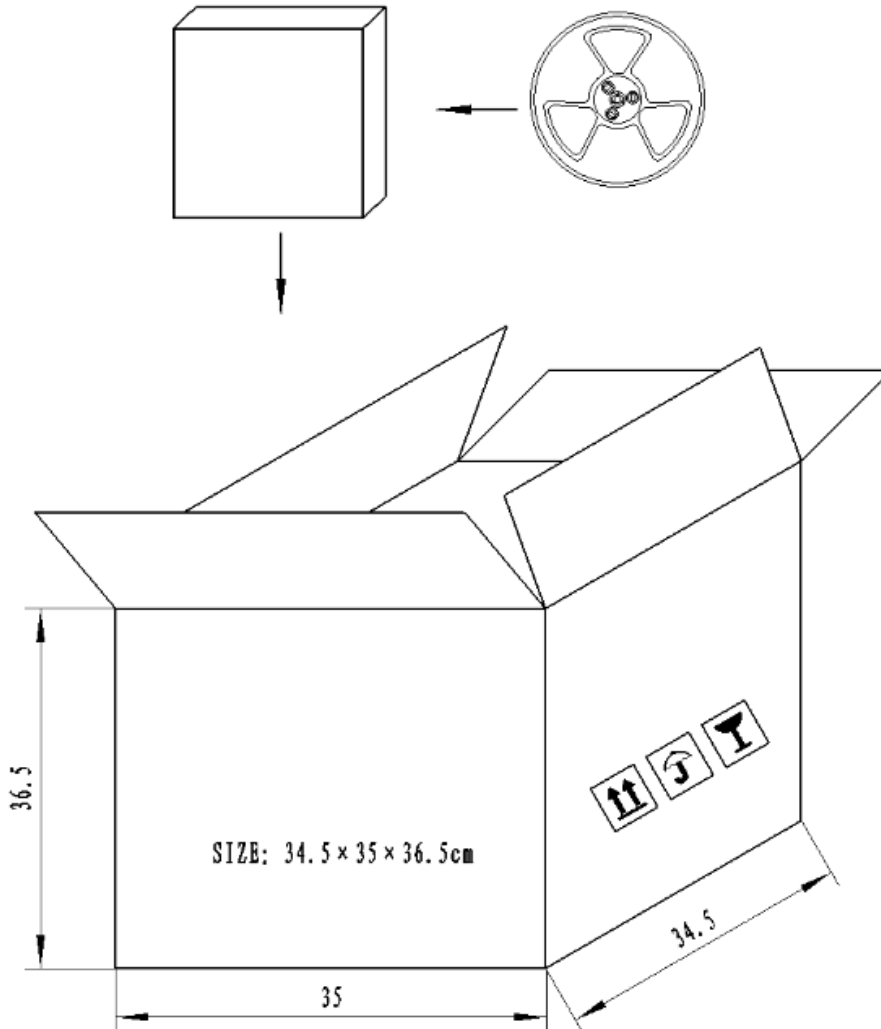
NOTE:

1. 10 sprocket hole pitch cumulative tolerance ± 0.20 mm.
2. All dimensions meet EIA-481-D requirements.
3. Thickness: 0.3 ± 0.05 mm.
4. Component loaded per 13" reel: 1000pcs.




| | | | | |
|--|--|------------|----------------------|---|
|  | DATE | 16-09-2019 | SPECIFICATION | Changzhou Cre-sound Electronics Co., Ltd |
| | PAGE | 8/9 | | www.cre-soundbuzzer.com |
| | Version | A/1 | | www.wj-lianhua.com |
| | <i>MODEL NAME: LET7525AS-03L-2.7-15-RM</i> | | | |

PACKING:



NOTES:

1. 1000 PCS per box
2. Total 10 boxes per carton
3. Total 10000 PCS carton

| | | | | |
|--|--|------------|----------------------|---|
|  | DATE | 16-09-2019 | SPECIFICATION | Changzhou Cre-sound Electronics Co., Ltd |
| | PAGE | 9/9 | | www.cre-soundbuzzer.com |
| | Version | A/1 | | www.wj-lianhua.com |
| | <i>MODEL NAME: LET7525AS-03L-2.7-15-RM</i> | | | |

MSL Rating and Notice

Moisture Sensitivity level and Floor Life

| Level | Floor life(out of bag) at factory Ambient ≤ 30 /60%RH |
|-------|--|
| 3 | 168 hours |

① **The products must not be washed.**

② **Storage Condition:**

The products should be stored in the room, where the temperature/humidity is stable.

And avoid such places where there are large temperature changes.

Please store the products at the following conditions:

Temperature: -10 to +40 Humidity: 15 to 85% R.H.

③ **Expire Date on Storage:**

Expire date (shelf life) of the products is **one year** after delivered under the conditions of a sealed and an unopened package.

Please use the products with **one year** after delivered.

④ **Notice on product Storage:**

Please use the products immediately after the package is opened, because the characteristics may be reduced at quality.