

PPC-Z177R

17" IP66/69K Waterproof Stainless Steel 316 5 Wire Resistive Touch Panel PC with kabylake-U Intel® Core™ i5-7200U Processor



Features

- 17"(1280 x1024) LCD Panel with Resistive Touch
- Support Dual Ethernet, 3 USB 3.0, 4 USB 2.0 and 2 COM
- IP66 Waterproof 2W Speaker out
- Stainless Steel SUS316, Full IP66/69K Waterproof
- Support VESA Mounting and Yoke Mounting

Applications

- Food & Beverage Processing Application
- Hospitality and Catering Service
- Pharmaceutical and Biopharmaceutical Equipment
- Animal Feed Production Facility
- Chemical, Gas & Oil Critical Environment

→ Packing List

Description
1 x PPC-Z177R

→ Optional Items

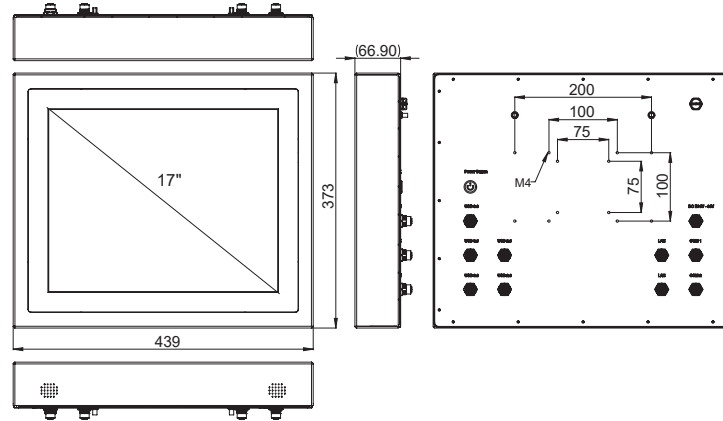
Part No.	Description
APW-60M12V-01	12V, 60W, 5A, 5-pin M12 Connector (US)
APW-60M12V-02	12V, 60W, 5A, 5-pin M12 Connector (EU)
AKT-USB2M12	M12 Connector to USB2.0 Cable, 2m
AKT-COM2M12	M12 Connector to DB9 Cable, 2m
AKT-LAN2M12	M12 Connector to LAN Cable, 2m
AKT-USB32M12	M12 Connector to USB3.0 Cable, 2m
AWD-WF006	wifi 802.11 a/b/g/n/ac/BT4.0 (2T2R) + 2 IP66 antenna(dual band), miniPCIe Half size
AWD-WF007	wifi 802.11 b/g/n (1T1R) + 1 IP66 antenna(dual band), Half size miniPCIe, for PPC Z-series

→ Ordering Information

Part No.	Description
PPC-177R-1A1	17" 4:3 (1280 x 1024), 350nits, Stainless Steel 316 Full IP66/69K Protection, Fanless Panel PC with Intel® Core i5-7200U CPU, Projected Capacitive Touch, 4G RAM, 64G SSD, 3 USB 3.0, 4 USB 2.0, 1 RS232, 1 RS-232/422/485, 2 GbE, DC 9-36 V (M12 Connector), 2 2W Speaker
PPC-177R-2A1	17" 4:3 (1280 x 1024), 350nits, Stainless Steel 316 Full IP66/69K Protection, Fanless Panel PC with Intel® Core i3-7100U CPU, Projected Capacitive Touch, 4G RAM, 64G SSD, 3 USB 3.0, 4 USB 2.0, 1 RS232, 1 RS-232/422/485, 2 GbE, DC 9-36 V (M12 Connector), 2 2W Speaker

PPC-Z177R

→ Dimensions



→ Specifications

Model		PPC-Z177R-B61A1	PPC-Z177R-B62A1
Processor System	CPU	Intel® Core® i5-7200U	Intel® Core® i3-7100U
	Frequency	Duad-Core up to 3.1 GHz	Duad-Core up to 2.4 GHz
	L2 Cache	Intel® Smart Cache 3 MB	
	System Chipset	N/A	
Memory	BIOS	UEFI	
	Technology	DDR4 2133 MHz SDRAM	
	Max. Capacity	32 GB	
Display	Socket/ (On Board)	2, (260-pin SO-DIMM)	
	Panel Size	17" LCD Panel	
	Aspect Ratio	4:3	
	Resolution	1280 x 1024 (SXGA)	
	Viewing Angle	80 x 80 (H) x 60 x 80 (V)	
	Brightness	350 (cd/m2)	
	Contrast Ratio	800:1	
Touchscreen	VGA / HDMI / DP / DVI	N/A	
	Multi Display	LCD Panel	
	Touchscreen Type	5-wire Resistive Touch	
	Surface Hardness	3 Mohs	
I/O Interface	Durability	36 millions times	
	Transparency	80% (±3%)	
	USB	7, 3 USB 3.0 , 4 USB 2.0, M12 Connector	
	Serial Port	2, COM (1 RS-232, 1 RS-232/422/485), M12 Connector	
	Digital I/O	N/A	
Expansion	Ethernet	2, GbE LAN ports (Intel® i219V and Intel® i211AT)	
	Others	N/A	
Audio	miniPCIe/ M.2 Slot	1, Mini PCIe (Full-size); 1, M.2 E Key 2230 (USB/ PCIe x1)	
	PCI/ PCIe Slot	N/A	
Storage	Connector	2, 2W Speaker	
	HDD/SSD	1, Internal 2.5" HDD/SSD	
Power	mSATA/ M.2 / eMMC	1, M.2 M Key 2280 (SATA III / PCIe x4)	
	Power On Model	AT/ATX	
	Power Supply Voltage	9-36 V DC input	
	Connector Type	M12 Connector	
	Power Consumption(Typical/Max.)	Typical : 1.25A @ 12V (15W), Max : 2.68A @ 12V (32.2W)	
Mounting	Battery	CR2032;3.3V	
	VESA Mount	75mmx 75mm; 100mm x 100mm	
	Panel Mount	N/A	
Environment	Others	Yoke Mount	
	Operating Temperature	-20~60° C (-4~140° F) w/ Extended Operation Temp. RAM & SSD	
	Storage Temperature	-40~85° C (-40~185° F)	
	Humidity	5~95% @ 40° C, non-condensing	
	Vibration	5-500 Hz, 0.026 G ² /Hz, 2.16 Grms, X, Y, Z, 1 hour per axis	
General	Shock	20 G, IEC 60068-2-27, half sine, 11 ms duration	
	Certification	TBD	
	Thermal Dissipation	Fanless	
	Material, Surface Finish	Stainless steel 316, Brush polish	
	Ingress Protection	Full IP66/IP69K Protection	
	Dimensions (L x W x H)	439 x 373 x 66.9 mm (17.28" x 14.69" x 2.63")	
	Net Weight	7.77 kg (17.13 lb)	
Operating System	Windows 10 IoT 64Bit, Linux kernal 4.0.x or above		