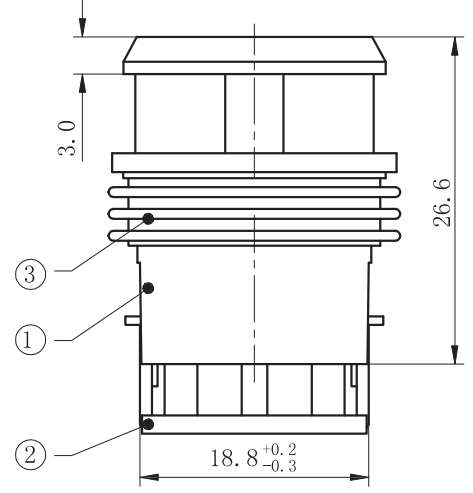
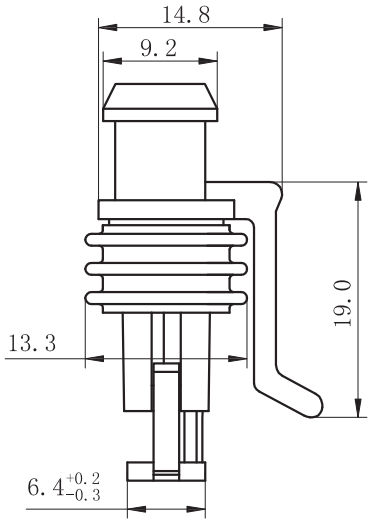
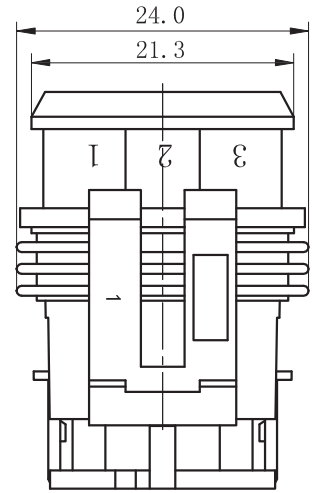
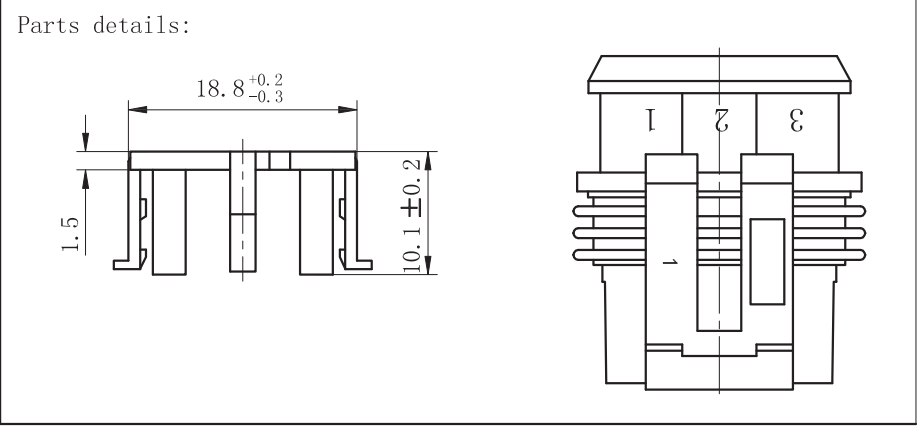
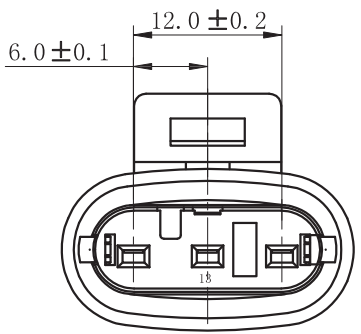


1
RoHS Compliance



Material:
 1.Housing:PA66,Black,UL 94 V-0
 2.TPA:PA66+GF,Red
 3.Wire Seal:Silicone Rubber, Yellow

ANGLE TOLERANCE	PROJECTION	Description:	
±3°		3Hole Connector	
GENERAL TOLERANCE	UNITS	mm	
x.x ±0.30	SHEET SIZE	A4	
x.xx ±0.20	Draw:	Daniel	2018-07-10
x.xxx ±0.10	Check:	Daniel	2018-07-10

CONN THERM