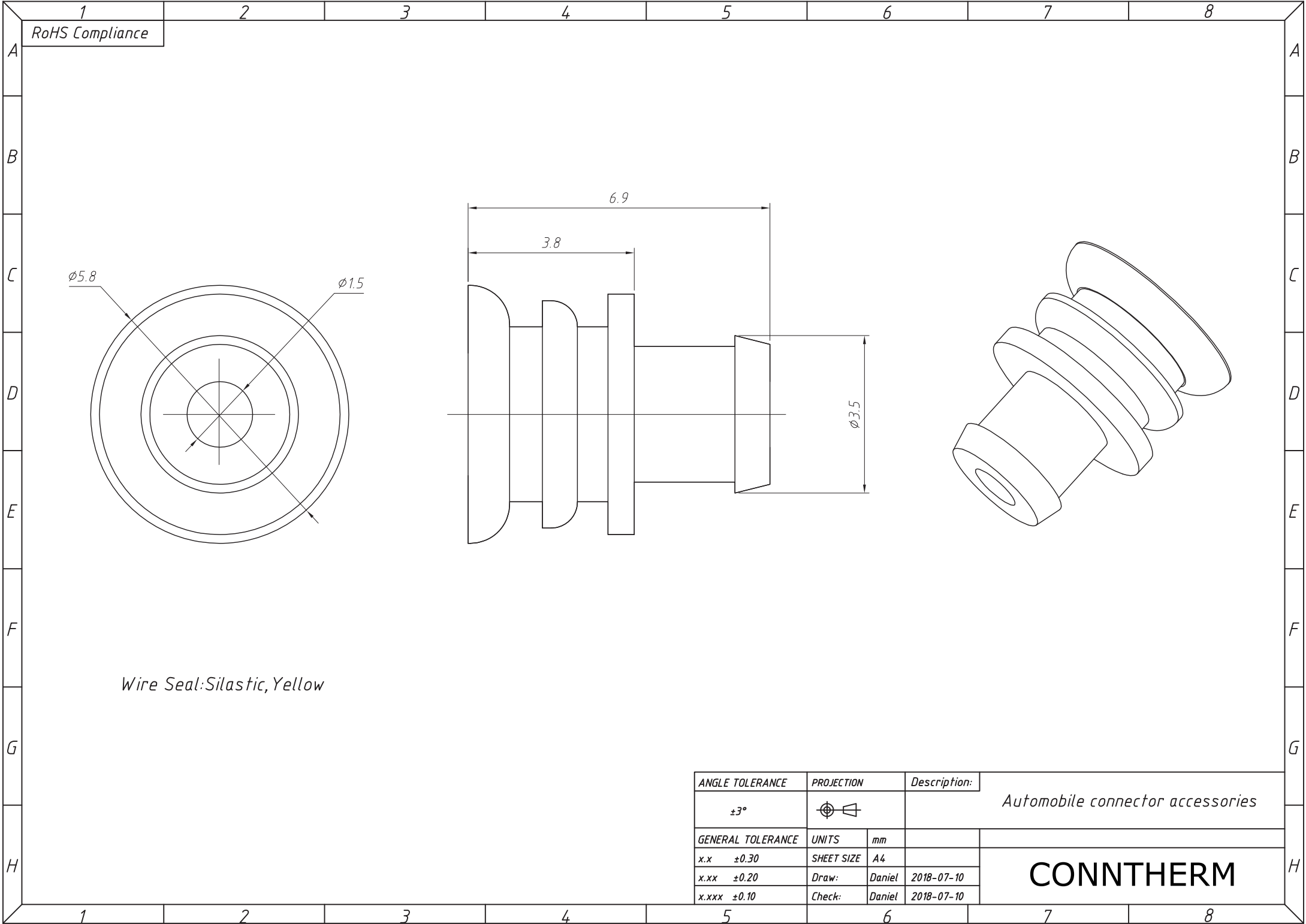


1  
RoHS Compliance



Wire Seal:Silastic, Yellow

ANGLE TOLERANCE	PROJECTION	Description:	
±3°		Automobile connector accessories	
GENERAL TOLERANCE	UNITS	mm	
x.x ±0.30	SHEET SIZE	A4	
x.xx ±0.20	Draw:	Daniel	2018-07-10
x.xxx ±0.10	Check:	Daniel	2018-07-10

**CONN THERM**