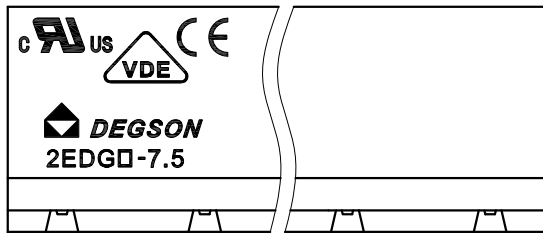


REVISION RECORD				
REV	ECN	DESCRIPTION	DRFT	DATE



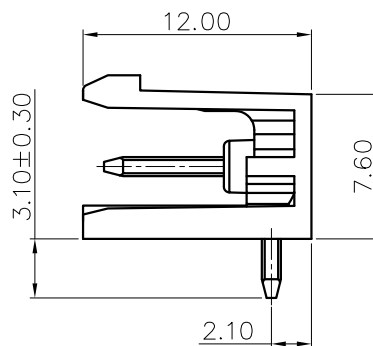
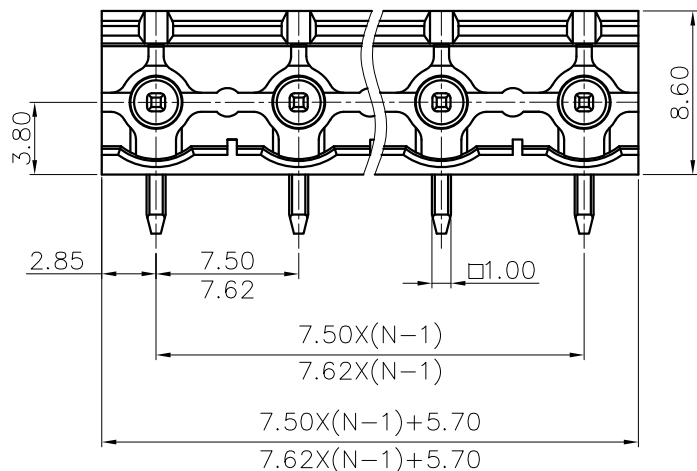
NOTES1:

UL Standard

1. Rated Voltage/Current : 300V / 15A
2. Withstanding Voltage : AC1600V/1Min.

IEC Standard

1. Pollution Degree	2
Overvoltage Category	III
Rate Impulse Voltage(KV)	4.0KV
Rate Voltage(V)	400V
Rate Current(A)	20A

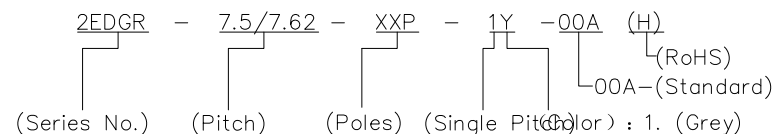


NOTES2:

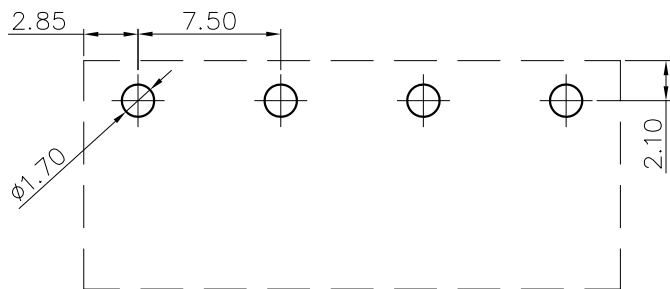
1. Dimension shall be interpreted per ASME Y14.5-2009
2. Pitch : 7.50/7.62mm, Poles : N=02~12P
3. Operating temperature: -40°C~+105°C
4. Undimensioned Tolerances:

Pitch range in mm		Nominal dimension range in mm						-	∩	□
TO 6	Over 6 TO 10	Over 10 TO 24	TO 30	Over 30 TO 60	Over 60 TO 100	Over 100 TO 150	Over 150	0.1/10		
±0.15	±0.20	±0.30	±0.30	±0.50	±0.70	±1.00	±1.30	±2*		

5. RoHS Compliance



1. (Grey)
2. (Blue)
3. (Black)
4. (Green)
5. (Orange)
6. (Red)
7. (Transparent)
8. (Yellow)
9. (White)



DETACHED LISTS	PART NO.:	宁波高松电子有限公司 NINGBO DEGSON ELECTRICAL CO., LTD			
	APPD:	NAME: 2EDGR-7.5/7.62-XXP-1Y-100A(H)			
	CHKD:	TITLE: CUSTOMER DRAWING		REV	DO
	DRFT:	DRAWING NO.:		SHEET	1/1
THIRD ANGLE PROJECTION		DO NOT SCALE DRAWING		SCALE	1:1