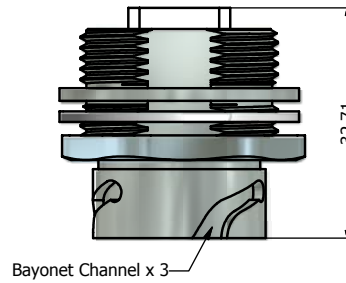
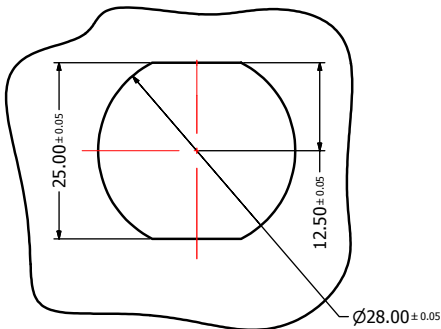
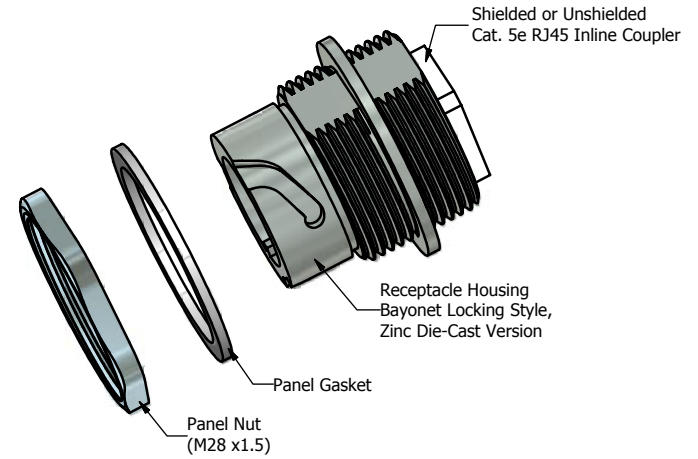


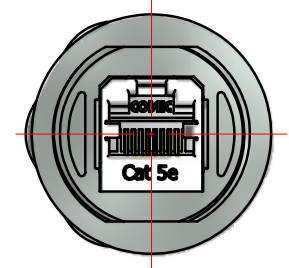
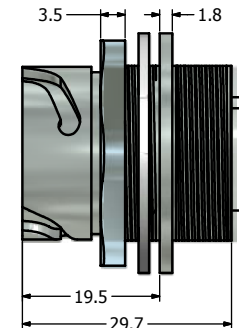
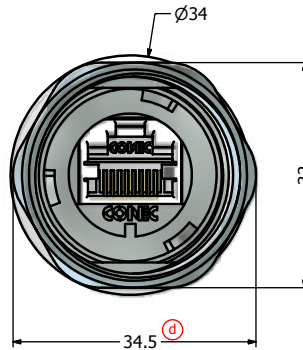
Recommended Single-D (d)
Panel Cutout



Bayonet Channel x 3



Recommended Double-D (c)
Panel Cutout



Notes:

- Electrical Specifications:
 - Meets EIA/TIA-568-B.2 Cat.5e Specification
 - Contact Resistance: 20mOhm max.
 - Insulation Resistance: 500MOhm min. @ 100 VDC
 - Current Rating: 1.2A max. at 25° C
 - Working Voltage: 100 VDC
 - DWV: 1000 VDC/60s Contact to Contact, 1500 VDC/60s Contact to Metal Shell
 - Operating Temperature: -40° C to +85° C
- Material and Finish:
 - Receptacle Housing: Zinc Die-Cast, Finish: Nickel Plated
 - Panel Nut: Brass, Finish: Nickel Plated
 - Panel Gasket: Silicon, Color: White
 - RJ45 Jack Metal Shell: Copper Alloy, Nickel Plated
 - RJ45 Jack Plastic Housing: Glass filled PBT UL94 V-0, Color: Black
 - RJ45 Jack Contacts: Phosphor Bronze, Finish: 50u" Gold min. over Nickel
- Connector can be front or rear mounted to a maximum panel thickness of 3.2mm.
- IP67 rated when covered or fully mated with the appropriate mating connector
- RoHS compliant

Directive 2002/95/EC RoHS Compliant

(b) (d)	Description	Part Number
	Nickel Plated Zinc Die-Cast with Shielded Cat5e Coupler	17-101754
	Nickel Plated Zinc Die-Cast with Unshielded Cat5e RJ45 Coupler	17-101764

THIS DRAWING MAY NOT BE COPIED, OR REPRODUCED IN ANY WAY AND MAY NOT BE PASSED ON TO A THIRD PARTY WITHOUT WRITTEN PERMISSION. OWNERSHIP AND COPYRIGHT OF CONEC CORPORATION. DOT NOT ALTER CAD DRAWING BY HAND	Customer:			Tolerance Unless otherwise specified			Scale: NTS	Dim. in mm	
	Name	Title	Approval Date	0 PLC ±0.50	1 PLC ±0.38		Autodesk Inventor	Material: See Notes	
				2009	Date	Name	Title: Jack Receptacle Assembly Kit with Cat. 5e RJ45 Inline Coupler Nickel Plated Zinc Die-Cast Version		
				2011	Draw. Dec. 07	Vincent Ke	Drawing No.: 17K1A144		
			2010	Appd. Dec. 07	J. Chaudry	Part No.: SEE ABOVE TABLE			
	d	3 x d	Mar/02/2011	Vincent ke	Norm	DIN A3			
	c	1 x c	Jan/28/2011	Vincent Ke	D-old	Sheet 1/1			
	b	3 x b	Dec/16/2010	Vincent ke					
	a	original							
	Rev.	Changes	Date	Name					

