

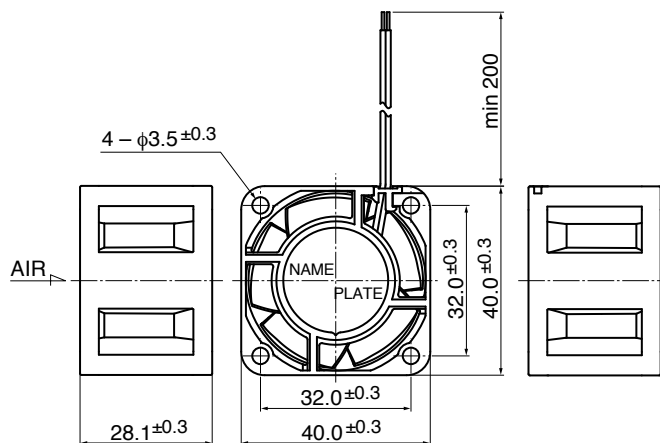
# 04028VA (1611VL)

## DC Axial Fan

40<sup>□</sup>X28<sup>L</sup>



### Outline



### General Specifications

- Motor Protection : Auto Restart / Polarity Protection
- Insulation Resistance : 10MΩ or over with a DC500V Megger
- Dielectric Withstand Voltage : AC700V 1s
- Allowable Ambient Temperature Range : - 10°C ~ + 70°C (Operating)  
- 40°C ~ + 70°C (Storage)  
non-condensing environment

### Expected Life

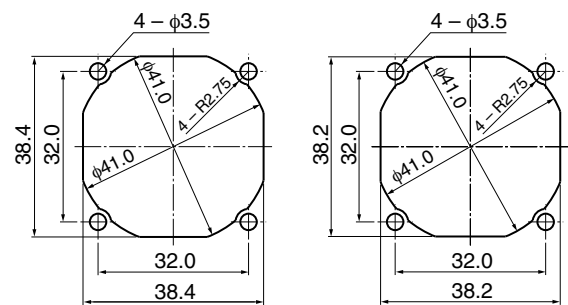
※ Failure Rate: 10% (L10 Life)

60°C 40,000 (Hours)

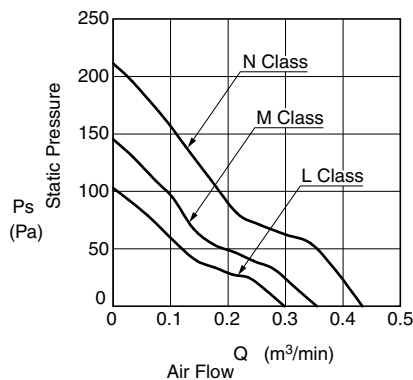
### Panel Out-cuts

(Inlet Side)

(Outlet Side)



### Characteristic Curves



### Material

- Casing : Plastic (Black) UL94V-0
- Impeller : Plastic (Black) UL94V-0
- Bearing : Ball Bearing
- Lead Wire : UL3385 AWG26 + : Red, - : Black

Customize service for IP compatible type and Oil-proof type is available for this item. Please contact to our sales representative for more detail.

### Specifications

Model	Product No.	Rating Voltage	Operating Voltage	Current	Input Power	Speed	Max. Air Flow		Max. Static Pressure		Noise	Mass
		(V)	(V)				(m³/min)*1	(CFM)*1	(Pa)	(In H <sub>2</sub> O)		
04028VA-24L-AA-	00	24	10.0 ~ 26.4	0.06	1.44	9000	0.29	10.2	102.0	0.41	34.5	50
04028VA-24M-AA-	00			0.07	1.68	11000	0.35	12.4	145.3	0.58	39.0	
04028VA-24N-AA-	00			0.10	2.40	13000	0.41	14.5	210.0	0.84	44.5	

Rotation: Clockwise as seen from the label side  
Airflow Outlet: Label side

\*1: Average Values in Free Air