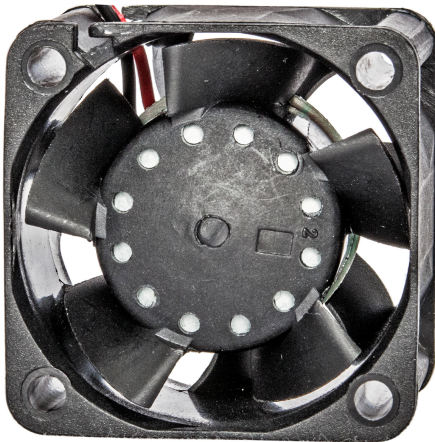


# D

# 3828D-K

38x38x28mm(1.5"x1.5"x1.1")



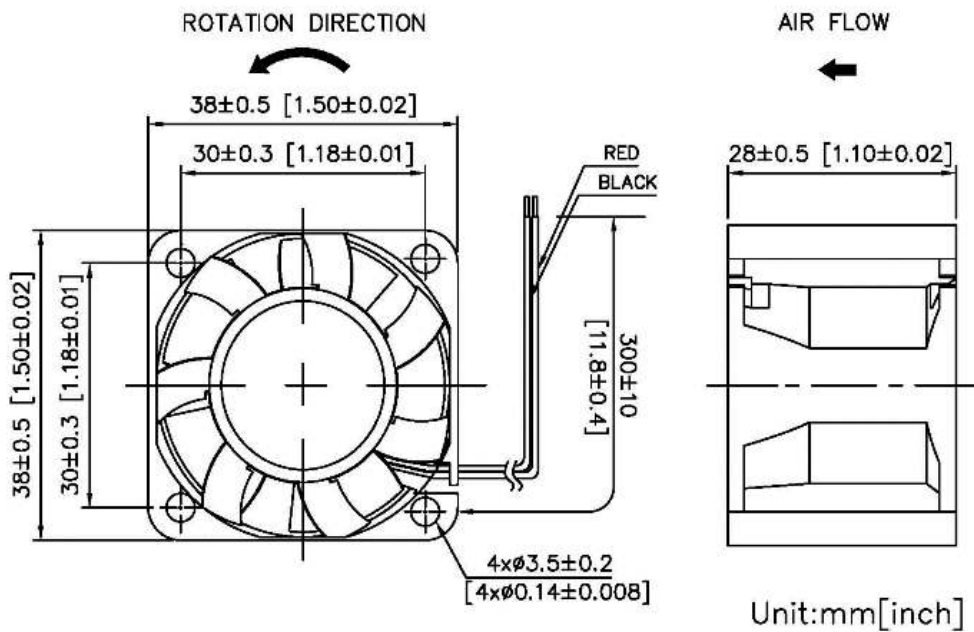
HOUSING	Thermoplastic PBT, UL94V-0
IMPELLER	Thermoplastic PBT, UL94V-0
BEARING	Ball
OPERATING TEMPERATURE	-10°C to + 70°C
DIELECTRIC STRENGTH	5mA Max. at 500 VAC for 1 minute
INSULATION RESISTANCE	10M Ω min. @500 VDC
WEIGHT	40.6 g
ROHS COMPLIANCE	Yes
IP LEVEL	IP21 (Special IP Rating On Request)

# 38mm

## SPECIFICATION

MODEL NO.	RATED VOLTAGE(V)	RATED CURRENT(A)	INPUT POWER(W)	SPEED (RPM)	MAX. AIR PRESSURE		MAX. AIR FLOW		NOISE dB(A) @1M
					inchH2O	mmH2O	CFM	m3/min	
D3828V12LBD-K	12	0.21	2.52	8000	0.39	10.02	9.44	0.26	38
D3828V12MBD-K	12	0.3	3.6	10000	0.63	12.46	12.46	0.35	44
D3828V12HBD-K	12	0.5	6	13000	1.02	25.91	16.3	0.46	51
D3828V12SLBD-K	12	0.82	9.84	15000	1.37	34.71	19.61	0.54	55
D3828V12SMBD-K	12	1	12	17000	1.67	42.4	20.8	0.59	59

## DIMENSION



# AIR PERFORMANCE

