

D 8010



80X80X10.8mm(3.15"X3.15"X0.43")



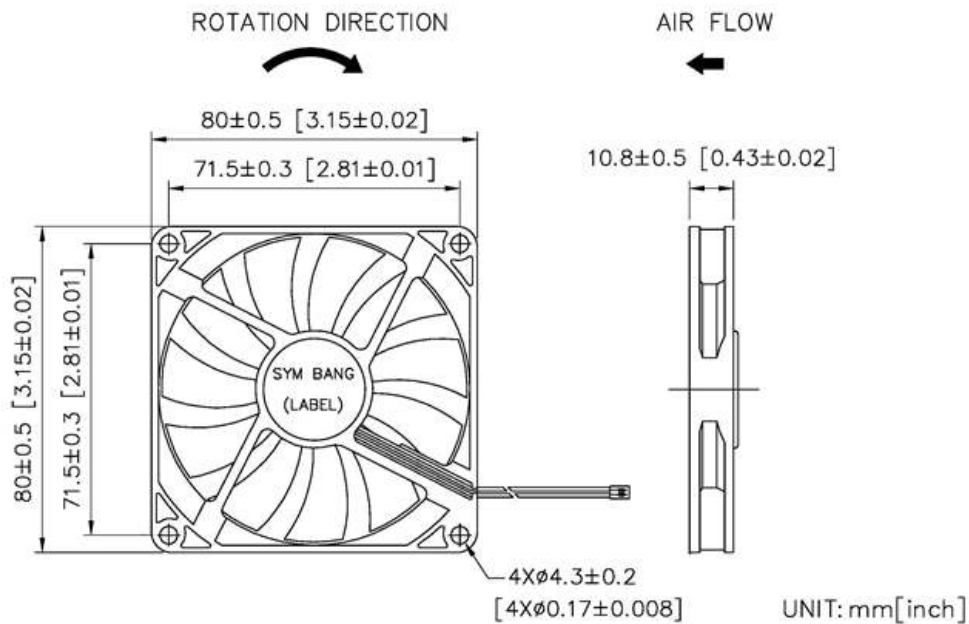
HOUSING	Thermoplastic PBT, UL94V-0
IMPELLER	Thermoplastic PBT, UL94V-0
BEARING	Ball or Sleeve
TERMINATION	Lead Wire
OPERATING TEMPERATURE	-10°C to + 60°C
DIELECTRIC STRENGTH	5mA Max. at 500 VAC for 1 minute
INSULATION RESISTANCE	10M Ω min. @500 VDC
WEIGHT	41 g
ROHS COMPLIANCE	Yes
IP LEVEL	IP21 (Special IP Rating On Request)

80 mm

SPECIFICATION

MODEL NO.	RATED VOLTAGE(V)	RATED CURRENT(A)	INPUT POWER(W)	SPEED (RPM)	MAX. AIR PRESSURE		MAX. AIR FLOW		NOISE dB(A) @1M
					inchH2O	mmH2O	CFM	m3/min	
D8010V12L	12	0.12	1.4	2000	0.035	0.9	15.58	0.44	23
D8010V12M	12	0.18	2.2	2500	0.052	1.31	19.68	0.56	27
D8010V12H	12	0.24	2.9	3000	0.071	1.81	23.45	0.66	31
D8010V24L	24	0.08	1.9	2000	0.035	0.9	15.58	0.44	23
D8010V24M	24	0.11	2.6	2500	0.052	1.31	19.68	0.56	27
D8010V24H	24	0.14	3.4	3000	0.071	1.81	23.45	0.66	31

DIMENSION



AIR PERFORMANCE

