

D 8025-03



80x80x25mm(3.15"x3.15"x0.98")



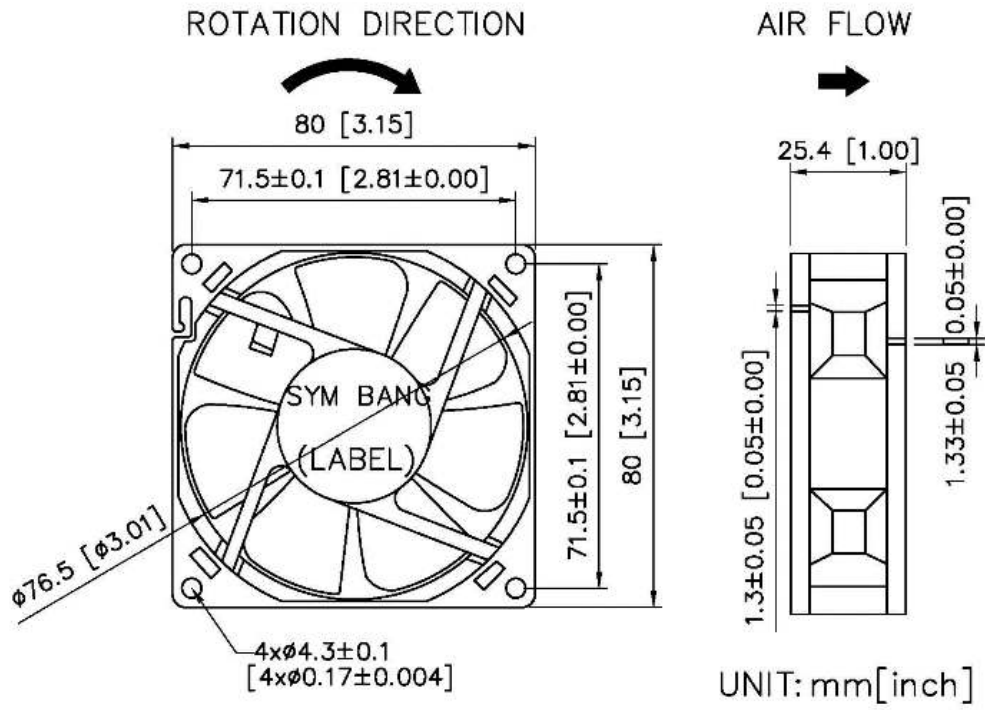
HOUSING Thermoplastic PBT, UL94V-0
IMPELLER Thermoplastic PBT, UL94V-0
BEARING Ball
OPERATING TEMPERATURE -10°C to + 60°C
DIELECTRIC STRENGTH 5mA Max. at 500 VAC for 1 minute
INSULATION RESISTANCE 10M Ω min. @500 VDC
WEIGHT 85 g
ROHS COMPLIANCE Yes
IP LEVEL IP21 (Special IP Rating On Request)

80 mm

SPECIFICATION

MODEL NO.	RATED VOLTAGE(V)	RATED CURRENT(A)	INPUT POWER(W)	SPEED (RPM)	MAX. AIR PRESSURE		MAX. AIR FLOW		NOISE dB(A) @1M
					inchH2O	mmH2O	CFM	m3/min	
D8025V12SL-03	12	0.4	4.8	4000	0.27	7.09	55.53	1.57	41
D8025V12H-03	12	0.3	3.6	3300	0.18	4.54	44	1.25	36
D8025V12M-03	12	0.2	2.4	2700	0.13	3.24	37	1.05	30
D8025V12L-03	12	0.15	1.8	2100	0.09	2.18	30	0.85	24
D8025V24SL-03	24	0.25	6	4000	0.27	7.09	55.53	1.57	41
D8025V24H-03	24	0.21	5.04	3300	0.18	4.54	44	1.25	36
D8025V24M-03	24	0.17	4.8	2700	0.13	3.24	37	1.05	30
D8025V24L-03	24	0.12	2.88	2100	0.09	2.18	30	0.85	24
D8025V48H-03	48	0.15	7.2	3300	0.18	4.54	44	1.25	36

DIMENSION



AIR PERFORMANCE

