

D

8025-K

80x80x25mm(3.15"x3.15"x0.98")



HOUSING	Thermoplastic PBT, UL94V-0
IMPELLER	Thermoplastic PBT, UL94V-0
BEARING	Ball or Sleeve
OPERATING TEMPERATURE	-10°C to + 70°C
DIELECTRIC STRENGTH	5mA Max. at 500 VAC for 1 minute
INSULATION RESISTANCE	10M Ω min. @500 VDC
WEIGHT	78 g
ROHS COMPLIANCE	Yes
IP LEVEL	IP21 (Special IP Rating On Request)

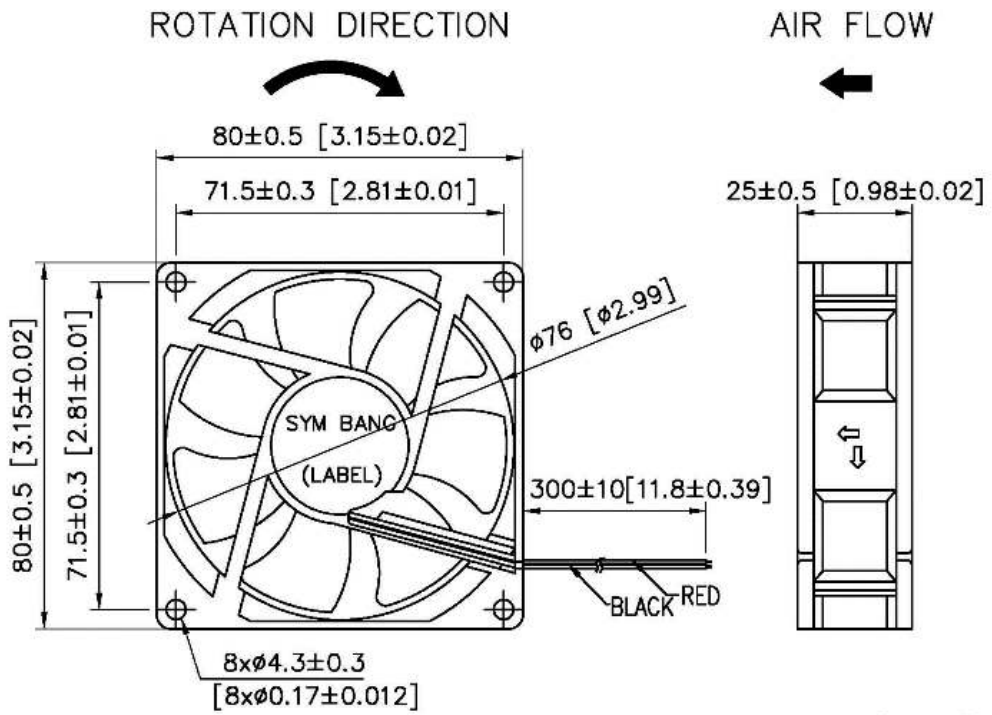
80 mm

SPECIFICATION

MODEL NO.	RATED VOLTAGE(V)	RATED CURRENT(A)	INPUT POWER(W)	SPEED (RPM)	MAX. AIR PRESSURE		MAX. AIR FLOW		NOISE dB(A) @1M
					inchH2O	mmH2O	CFM	m3/min	
D8025V12H-K	12	0.32	3.84	4300	0.270	6.858	50.50	1.429	43
D8025V12M-K	12	0.23	2.76	3600	0.200	5.080	42.40	1.200	38
D8025V12L-K	12	0.19	2.28	3000	0.140	3.556	35.40	1.002	33
D8025V12XL-K	12	0.17	2.04	2700	0.110	2.794	31.80	0.900	29
D8025V24H-K	24	0.23	5.52	4300	0.270	6.858	50.50	1.429	43
D8025V24M-K	24	0.16	3.84	3600	0.200	5.080	42.40	1.200	38
D8025V24L-K	24	0.11	2.64	3000	0.140	3.556	35.40	1.200	33
D8025V24XL-K	24	0.08	1.92	2700	0.110	2.794	31.80	1.002	29
D8025V48L-K	48	0.09	4.32	3600	0.200	5.080	42.40	1.200	38
D8025V48XL-K	48	0.06	2.88	3000	0.140	3.556	35.40	1.002	33
D8025V48H-K	48	0.20	9.60	4300	0.270	6.858	50.50	1.429	43
D8025V48SL-K	48	0.21	10.08	5000	0.380	9.652	60.00	1.698	48
D8025V24SL-K	24	0.25	6.00	5000	0.380	9.652	60.00	1.698	48
D8025V12SL-K	12	0.50	6.00	5000	0.380	9.652	60.00	1.698	48
D8025V5XL-K	5	0.03	0.15	2700	0.110	2.794	31.80	0.900	28

DIMENSION

SYMBANG



AIR PERFORMANCE

