

# D

# 8025D-YH2

80x80x25mm(3.15"x3.15"x1")



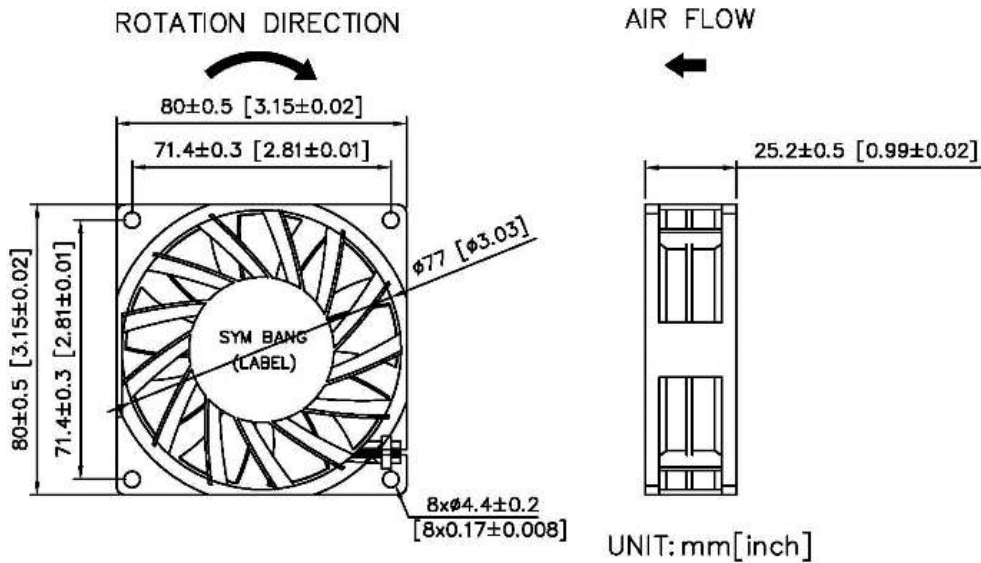
HOUSING	Thermoplastic PBT, UL94V-0
IMPELLER	Thermoplastic PBT, UL94V-0
BEARING	Ball
OPERATING TEMPERATURE	-10°C to + 70°C
DIELECTRIC STRENGTH	5mA Max. at 500 VAC for 1 minute
INSULATION RESISTANCE	10M Ω min. @500 VDC
WEIGHT	78 g
ROHS COMPLIANCE	Yes
IP LEVEL	IP21 (Special IP Rating On Request)

# 80 mm

## SPECIFICATION

MODEL NO.	RATED VOLTAGE(V)	RATED CURRENT(A)	INPUT POWER(W)	SPEED (RPM)	MAX. AIR PRESSURE		MAX. AIR FLOW		NOISE dB(A) @1M
					inchH2O	mmH2O	CFM	m3/min	
D8025V12SLBD-YH2	12	0.72	8.64	5000	0.43	10.90	67.27	1.90	52.1
D8025V12HBD-YH2	12	0.50	6.00	4500	0.35	8.95	60.20	1.70	48.3
D8025V12MBD-YH2	12	0.34	4.08	4000	0.28	7.14	53.98	1.53	45.0
D8025V24SLBD-YH2	24	0.36	8.64	5000	0.43	10.90	67.27	1.90	52.1
D8025V24HBD-YH2	24	0.25	6.00	4500	0.35	8.95	60.20	1.70	48.3
D8025V24MBD-YH2	24	0.17	4.08	4000	0.28	7.14	53.98	1.53	45.0
D8025V48SLBD-YH2	48	0.20	9.60	5000	0.43	10.90	67.27	1.90	52.1
D8025V48HBD-YH2	48	0.13	6.24	4500	0.35	8.95	60.20	1.70	48.3
D8025V48MBD-YH2	48	0.10	4.80	4000	0.28	7.14	53.98	1.53	45.0

## DIMENSION



SYMBANG

# AIR PERFORMANCE

