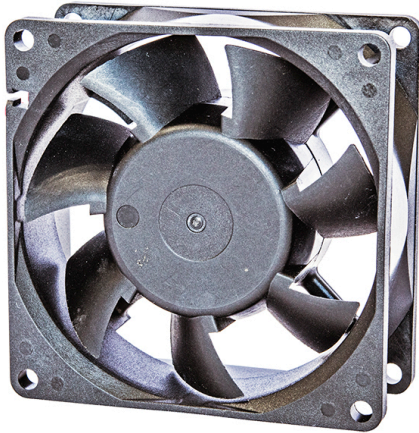


D

8032-TK

80x80x32mm(3.15"x3.15"x1.26")



HOUSING Thermoplastic PBT, UL94V-0
 IMPELLER Thermoplastic PBT, UL94V-0
 BEARING Ball or Sleeve
 OPERATING TEMPERATURE -10°C to + 70°C
 DIELECTRIC STRENGTH 5mA Max. at 500 VAC for 1 minute
 INSULATION RESISTANCE 10M Ω min. @500 VDC
 WEIGHT 180 g
 ROHS COMPLIANCE YES
 IP LEVEL IP21 (Special IP Rating On Request)

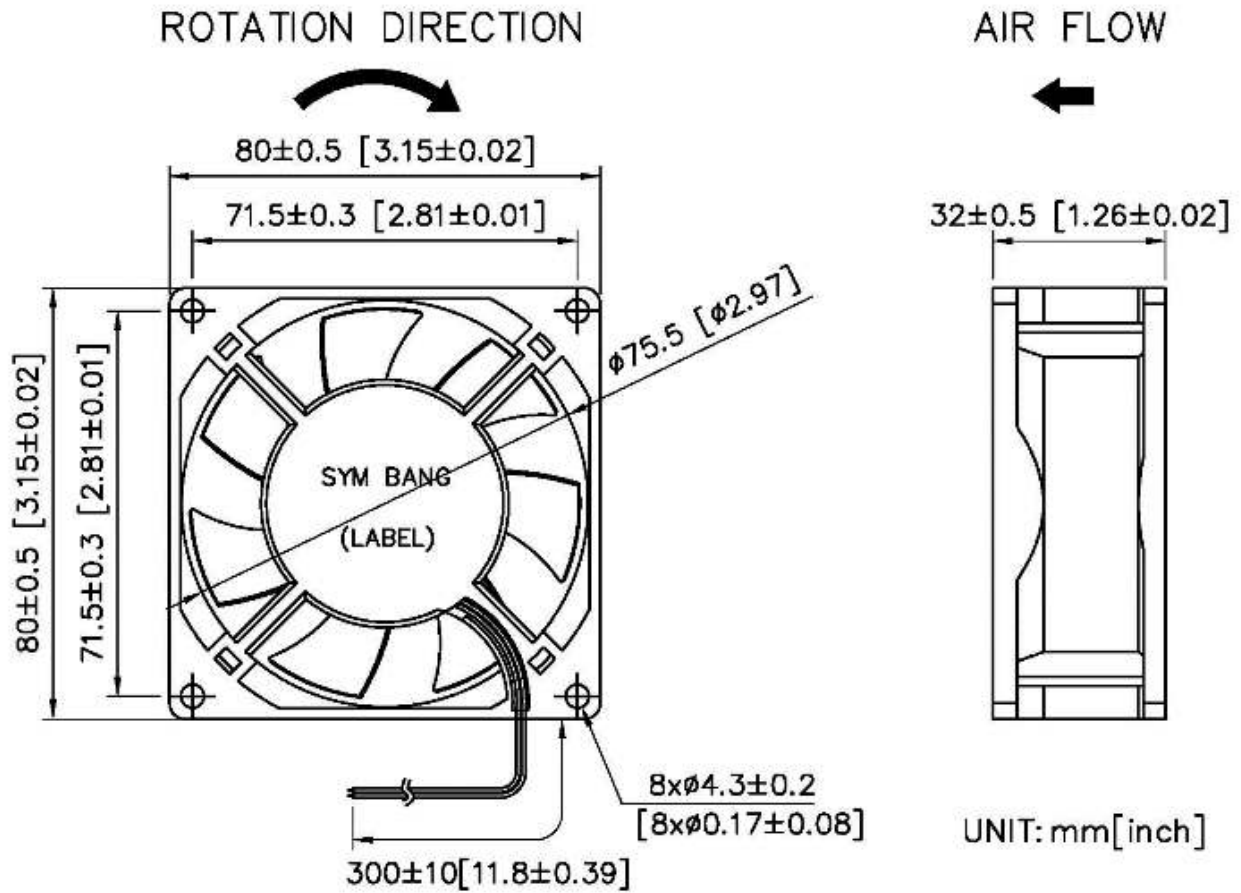
80 mm

SPECIFICATION

MODEL NO.	RATED VOLTAGE(V)	RATED CURRENT(A)	INPUT POWER(W)	SPEED (RPM)	MAX. AIR PRESSURE		MAX. AIR FLOW		NOISE dB(A) @1M
					inchH2O	mmH2O	CFM	m3/min	
D8032V48L-TK	48	0.10	4.8	4000	0.34	8.51	49.9	1.41	46.8
D8032V48M-TK	48	0.17	8.2	5000	0.46	11.63	61.3	1.74	50.3
D8032V48H-TK	48	0.24	11.5	6000	0.66	16.78	75.5	2.14	52.0
D8032V48SL-TK	48	0.31	14.9	7000	0.88	22.39	88.9	2.52	54.2
D8032V48SM-TK	48	0.38	18.2	8000	1.16	29.53	100.8	2.85	61.2
D8032V48SH-TK	48	0.46	22.1	8500	1.30	32.90	107.1	3.03	63.5
D8032V24L-TK	24	0.20	4.8	4000	0.34	8.51	49.9	1.41	46.8
D8032V24M-TK	24	0.34	8.2	5000	0.46	11.63	61.3	1.74	50.3
D8032V24H-TK	24	0.48	11.5	6000	0.66	16.78	75.5	2.14	52.0
D8032V24SL-TK	24	0.62	14.9	7000	0.88	22.39	88.9	2.52	54.2
D8032V24SM-TK	24	0.76	18.2	8000	1.16	29.53	100.8	2.85	61.2
D8032V24SH-TK	24	0.92	22.1	8500	1.30	32.90	107.1	3.03	63.5
D8032V12L-TK	12	0.40	4.8	4000	0.34	8.51	49.9	1.41	46.8
D8032V12M-TK	12	0.68	8.2	5000	0.46	11.63	61.3	1.74	50.3
D8032V12H-TK	12	0.96	11.5	6000	0.66	16.78	75.5	2.14	52.0
D8032V12SL-TK	12	1.24	14.9	7000	0.88	22.39	88.9	2.52	54.2
D8032V12SM-TK	12	1.51	18.1	8000	1.16	29.53	100.8	2.85	61.2
D8032V12SH-TK	12	1.84	22.1	8500	1.30	32.90	107.1	3.03	63.5

SYMBANG

DIMENSION



AIR PERFORMANCE

