

D

8056-SU

80x80x56mm(3.15"x3.15"x2.2")



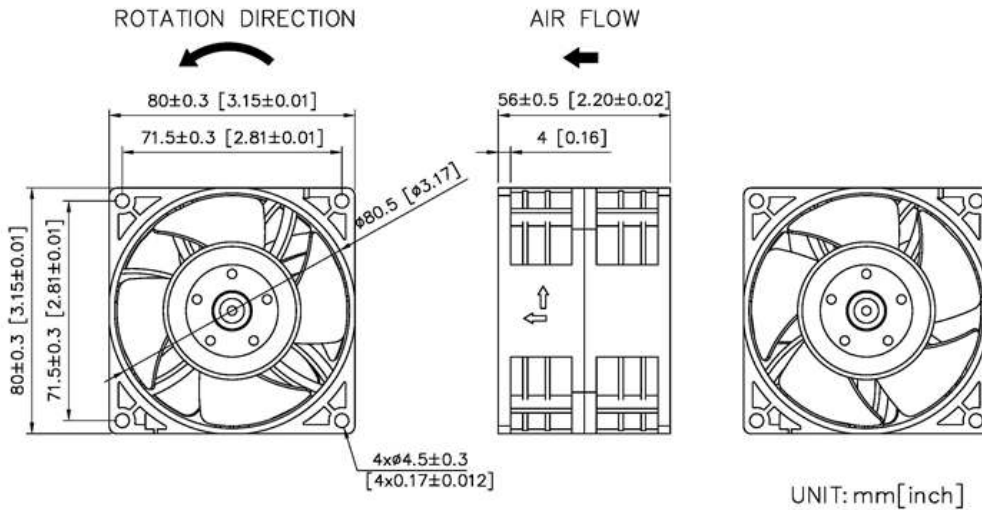
| | |
|-----------------------|---|
| IMPELLER | Plastic Impeller |
| BEARING | Ball |
| INSULATION | Class F |
| TERMINATION | Lead Wire |
| OPERATING TEMPERATURE | -10°C to + 60°C |
| INSULATION RESISTANCE | 10M Ω min. @500 VDC |
| DIELECTRIC STRENGTH | 5mA Max. at 500 VAC for 1 minute |
| MOTOR TYPE | DC Brushless Fan Motor |
| SAFETY | Locked Rotor Protection and Polarity Protection |
| WEIGHT | 310 g |
| ROHS COMPLIANCE | Yes |
| IP LEVEL | IP21(Special IP Rating On Request) |

80mm

SPECIFICATION

| MODEL NO. | RATED VOLTAGE(V) | RATED CURRENT(A) | INPUT POWER(W) | SPEED (RPM) | MAX. AIR PRESSURE | | MAX. AIR FLOW | | NOISE dB(A) @1M |
|---------------|------------------|------------------|----------------|-------------|-------------------|-------|---------------|--------|-----------------|
| | | | | | inchH2O | mmH2O | CFM | m3/min | |
| D8056V12HB-SU | 12 | 2.40 | 28.8 | 12000 | 5.48 | 139.1 | 102.4 | 2.90 | 72 |

DIMENSION



AIR PERFORMANCE

