

D

10025-GF

CE
100x100x25mm(3.9"x3.9"x0.98")



HOUSING	Plastic (PBT 30%GF)
IMPELLER	Plastic (PBT 30%GF)
BEARING	Ball, Sleeve
OPERATING TEMPERATURE	-10°C to + 60°C
DIELECTRIC STRENGTH	5mA Max. at 500 VAC for 1 minute
INSULATION RESISTANCE	10M Ω min. @500 VDC
WEIGHT	104.2 g
ROHS COMPLIANCE	Yes
IP LEVEL	IP21 (Special IP Rating On Request)

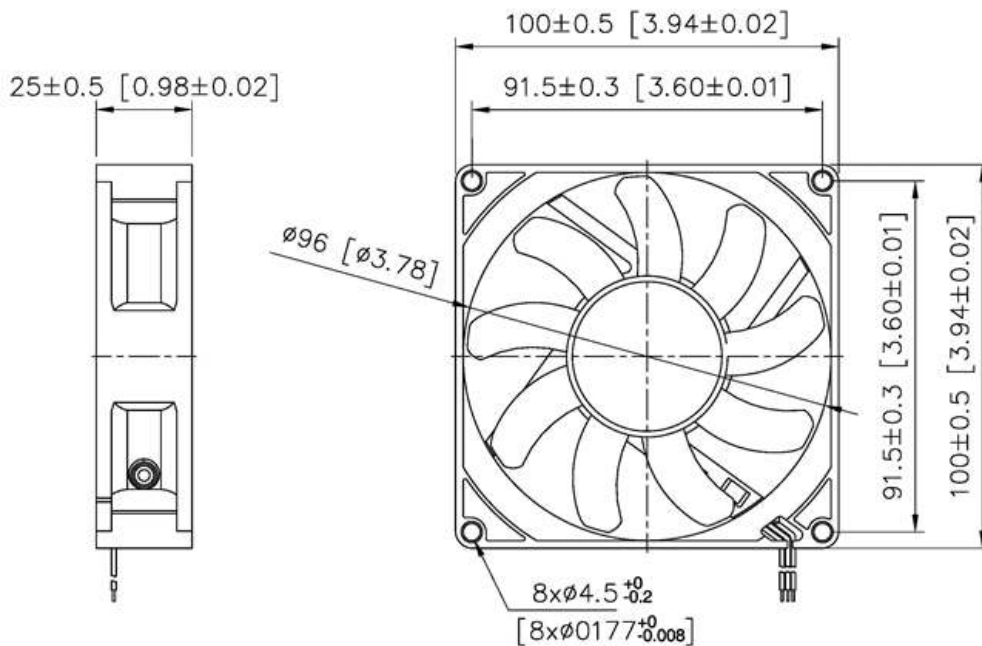
100

 mm

SPECIFICATION

MODEL NO.	RATED VOLTAGE(V)	RATED CURRENT(A)	INPUT POWER(W)	SPEED (RPM)	MAX. AIR PRESSURE		MAX. AIR FLOW		NOISE dB(A) @1M
					inchH2O	mmH2O	CFM	m3/min	
D10025V12XL-GF	12	0.25	3.0	2000	0.093	2.37	64.48	1.825	31.1
D10025V12L-GF	12	0.45	5.4	2400	0.131	3.32	77.15	2.183	35.7
D10025V12M-GF	12	0.55	6.6	2800	0.172	4.37	88.55	2.506	40.6
D10025V12H-GF	12	0.70	8.4	3300	0.205	5.20	107.63	3.046	43.6

DIMENSION



UNIT: mm[inch]



AIR PERFORMANCE

