

D

12025

120x120x25mm(4.72"x4.72"x0.98")



HOUSING	Thermoplastic PBT, UL94V-0
IMPELLER	Thermoplastic PBT, UL94V-0
BEARING	Ball or Sleeve
OPERATING TEMPERATURE	-10°C to + 60°C
DIELECTRIC STRENGTH	5mA Max. at 500 VAC for 1 minute
INSULATION RESISTANCE	10M Ω min. @500 VDC
WEIGHT	150 g
ROHS COMPLIANCE	Yes
IP LEVEL	IP21 (Special IP Rating On Request)

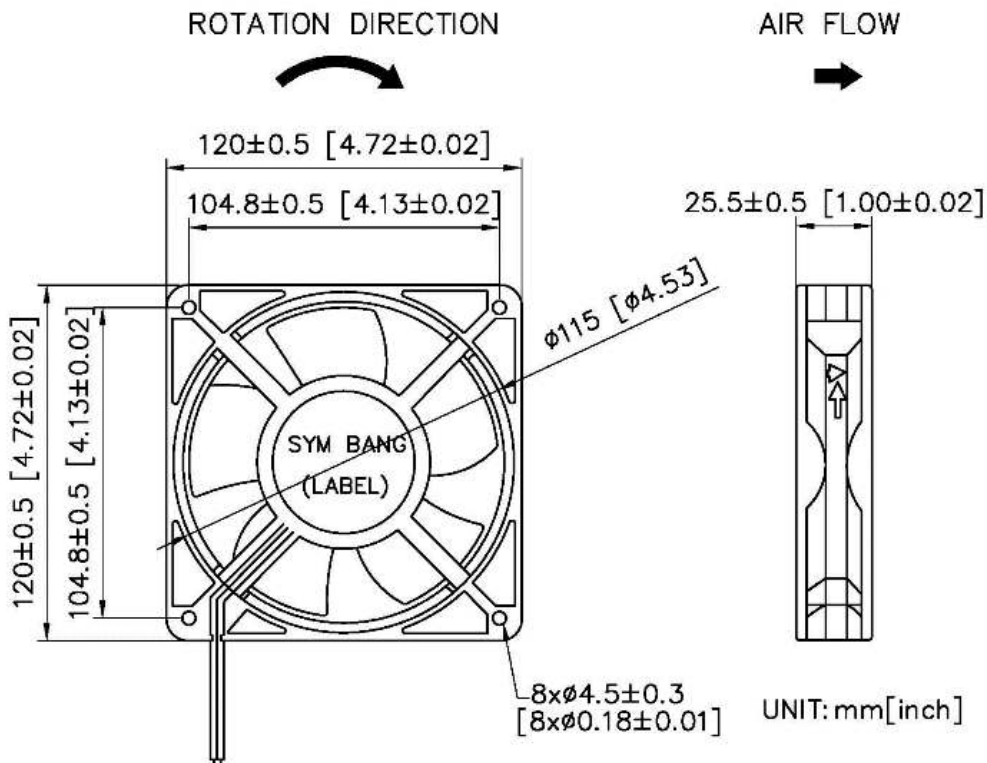
120

 mm

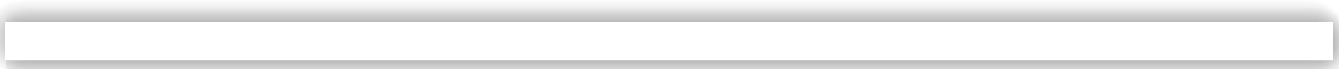
SPECIFICATION

MODEL NO.	RATED VOLTAGE(V)	RATED CURRENT(A)	INPUT POWER(W)	SPEED (RPM)	MAX. AIR PRESSURE		MAX. AIR FLOW		NOISE dB(A) @1M
					inchH2O	mmH2O	CFM	m3/min	
D12025V12H	12	0.38	4.56	3000	0.19	4.8	88.3	2.5	48
D12025V12M	12	0.25	3	2500	0.15	3.8	74.5	2.11	44
D12025V12L	12	0.14	1.68	2000	0.11	2.9	61.4	1.74	38
D12025V24H	24	0.24	5.76	3000	0.19	4.8	88.3	2.5	48
D12025V24M	24	0.18	4.32	2500	0.15	3.8	74.5	2.11	44
D12025V24L	24	0.1	2.4	2000	0.11	2.9	61.4	1.74	38

DIMENSION



SYMBANG



AIR PERFORMANCE

