

D

12038-03

CE
120x120x38mm(4.72"x4.72"x1.50")



HOUSING Aluminum Die Casting, Painted Black
IMPELLER Thermoplastic PBT, UL94V-0
BEARING Ball or Sleeve
OPERATING TEMPERATURE -10°C to + 60°C
DIELECTRIC STRENGTH 5mA Max. at 500 VAC for 1 mintue
INSULATION RESISTANCE 10M Ω min. @500 VDC
WEIGHT 420 g
ROHS COMPLIANCE Yes
IP LEVEL IP21 (Special IP Rating On Request)

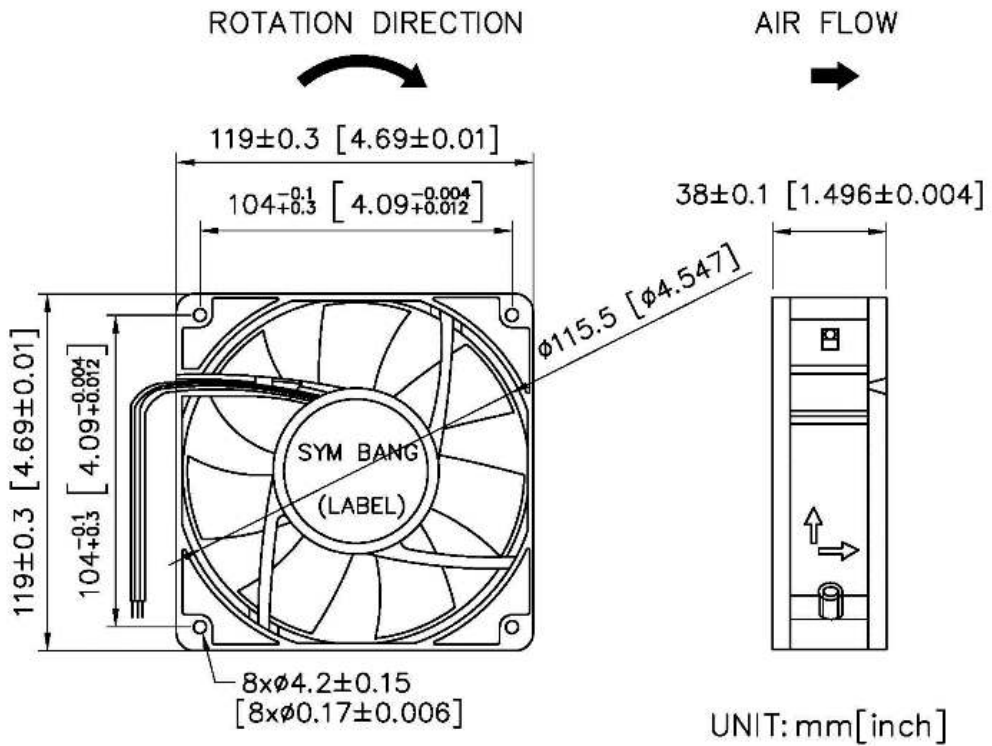
120

 mm

SPECIFICATION

MODEL NO.	RATED VOLTAGE(V)	RATED CURRENT(A)	INPUT POWER(W)	SPEED (RPM)	MAX. AIR PRESSURE		MAX. AIR FLOW		NOISE dB(A) @1M
					inchH2O	mmH2O	CFM	m3/min	
D12038V12SH-03	12	1.8	21.6	3400	0.36	9.35	168	4.76	50
D12038V12H-03	12	1.1	13.2	2900	0.28	7.1	145	4.11	48
D12038V12M-03	12	1	12	2400	0.18	4.62	121	3.43	46
D12038V24SH-03	24	1.1	26.4	3400	0.36	9.35	168	4.76	50
D12038V24H-03	24	0.8	19.2	2900	0.28	7.1	145	4.11	48
D12038V24M-03	24	0.6	14.4	2400	0.18	4.62	121	3.43	46
D12038V48SH-03	48	0.5	24	3400	0.36	9.35	168	4.76	50
D12038V48H-03	48	0.4	19.2	2900	0.28	7.1	145	4.11	48
D12038V48M-03	48	0.18	8.64	2400	0.18	4.62	121	3.43	46

DIMENSION



AIR PERFORMANCE

