

# D

# 12038-K

120x120x38mm(4.72"x4.72"x1.50")



HOUSING	Thermoplastic PBT, UL94V-0
IMPELLER	Thermoplastic PBT, UL94V-0
BEARING	Ball or Sleeve
OPERATING TEMPERATURE	-10°C to + 70°C
DIELECTRIC STRENGTH	5mA Max. at 500 VAC for 1 minute
INSULATION RESISTANCE	10M Ω min. @500 VDC
WEIGHT	260 g
ROHS COMPLIANCE	Yes
IP LEVEL	IP21 (Special IP Rating On Request)

# 120

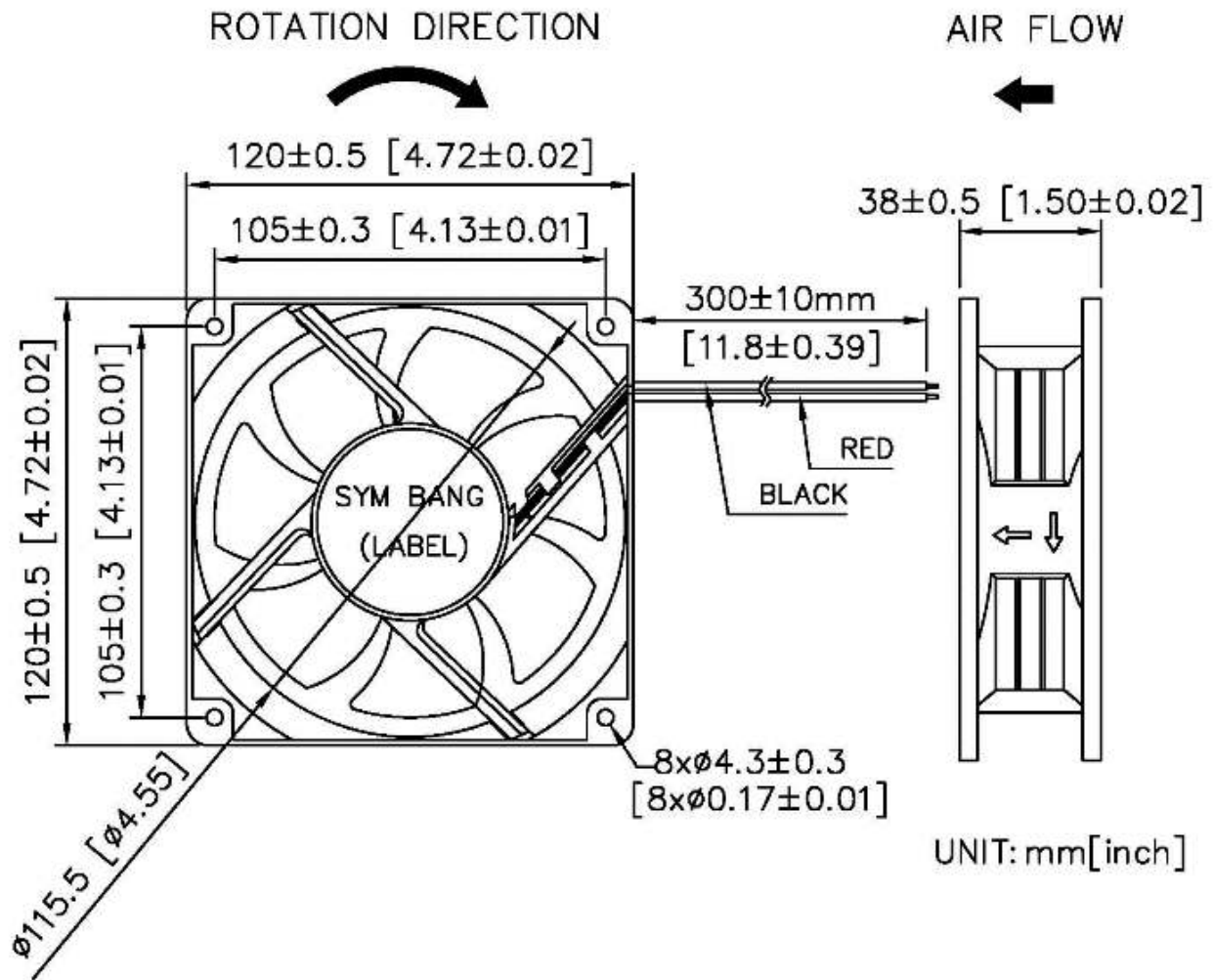
mm

## SPECIFICATION

MODEL NO.	RATED VOLTAGE(V)	RATED CURRENT(A)	INPUT POWER(W)	SPEED (RPM)	MAX. AIR PRESSURE		MAX. AIR FLOW		NOISE dB(A) @1M
					inchH2O	mmH2O	CFM	m3/min	
D12038V12SLB-K	12	1.41	16.92	4200	0.94	23.8	178.4	5.05	54
D12038V12HB-K	12	0.8	9.6	3200	0.54	13.8	135.9	3.85	48
D12038V12MB-K	12	0.5	6	2900	0.45	11.3	123.2	3.49	44
D12038V12LB-K	12	0.4	4.8	2600	0.41	10.4	114.7	3.25	41
D12038V24SLB-K	24	0.8	19.2	4200	0.94	23.8	178.4	5.05	54
D12038V24HB-K	24	0.46	11.04	3200	0.54	13.8	135.9	3.85	48
D12038V24MB-K	24	0.4	9.6	2900	0.45	11.3	123.2	3.49	44
D12038V24LB-K	24	0.32	7.68	2600	0.41	10.4	114.7	3.25	41
D12038V24XLB-K	24	0.18	4.32	2300	0.32	8.1	101.4	2.87	38
D12038V48HB-K	48	0.3	14.4	3200	0.54	13.8	135.9	3.85	48
D12038V48MB-K	48	0.28	13.44	2900	0.45	11.3	123.2	3.49	44
D12038V48LB-K	48	0.14	6.72	2600	0.41	10.4	114.7	3.25	41
D12038V48XLB-K	48	0.09	4.32	2300	0.32	8.1	101.4	2.87	38

SYMBANG

## DIMENSION



## AIR PERFORMANCE

