

# D

# 12738-C



127x127x38mm(5"x5"x1.50")



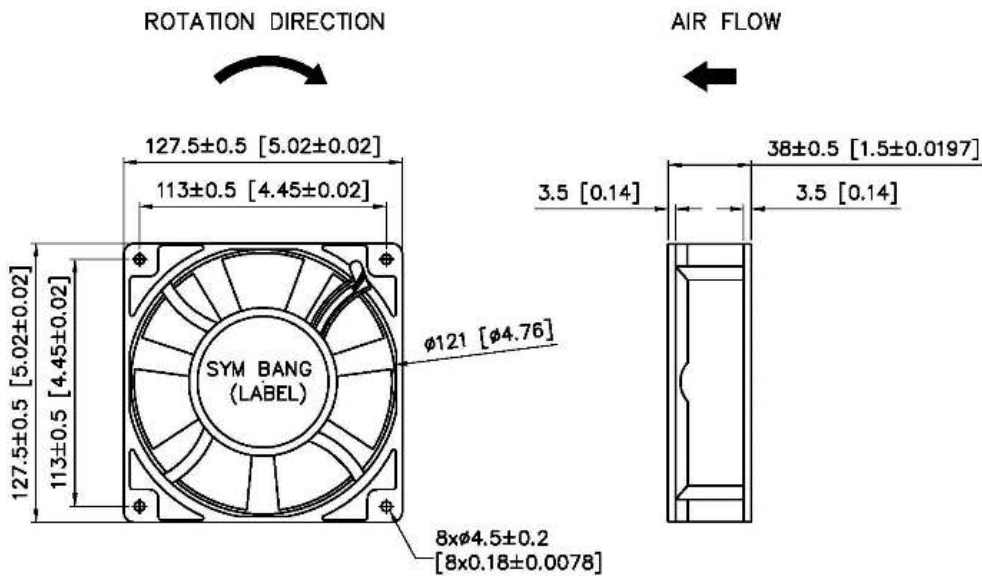
HOUSING	Aluminum Die Casting, Painted Black
IMPELLER	Thermoplastic PBT, UL94V-0
BEARING	Ball or Sleeve
OPERATING TEMPERATURE	-10°C to + 60°C
DIELECTRIC STRENGTH	5mA Max. at 500 VAC for 1 minute
INSULATION RESISTANCE	10M Ω min. @500 VDC
WEIGHT	400 g
ROHS COMPLIANCE	Yes
IP LEVEL	IP21 (Special IP Rating On Request)

# 127 mm

## SPECIFICATION

MODEL NO.	RATED VOLTAGE(V)	RATED CURRENT(A)	INPUT POWER(W)	SPEED (RPM)	MAX. AIR PRESSURE		MAX. AIR FLOW		NOISE dB(A) @1M
					inchH2O	mmH2O	CFM	m3/min	
D12738V12H-C	12	0.48	5.76	3000	0.35	8.89	140	4	45
D12738V12M-C	12	0.35	4.2	2500	0.3	7.62	110	3.1	38
D12738V12L-C	12	0.25	3	2000	0.28	7.11	85	2.4	32
D12738V24H-C	24	0.33	7.92	3000	0.35	8.89	140	4	45
D12738V24M-C	24	0.25	6	2500	0.3	7.62	110	3.1	38
D12738V24L-C	24	0.2	4.8	2000	0.28	7.11	85	2.4	32
D12738V48H-C	48	0.25	12	3000	0.35	8.89	140	4	45
D12738V48M-C	48	0.18	10.56	2500	0.3	7.62	110	3.1	38
D12738V48L-C	48	0.18	8.64	2000	0.28	7.11	85	2.4	32

## DIMENSION



UNIT: mm[inch]

# AIR PERFORMANCE

