

# D

# 15055M-DA

150x172x55mm(5.9"x6.77"x2.17")



HOUSING	Aluminum Die Casting, Painted Blakk
IMPELLER	Metal
BEARING	Ball
OPERATING TEMPERATURE	-10°C to + 70°C
DIELECTRIC STRENGTH	5mA Max. at 500 VAC for 1 minute
INSULATION RESISTANCE	10M Ω min. @500 VDC
WEIGHT	1.04 kg
ROHS COMPLIANCE	Yes
IP LEVEL	IP54 (Special IP Rating On Request)

# 150

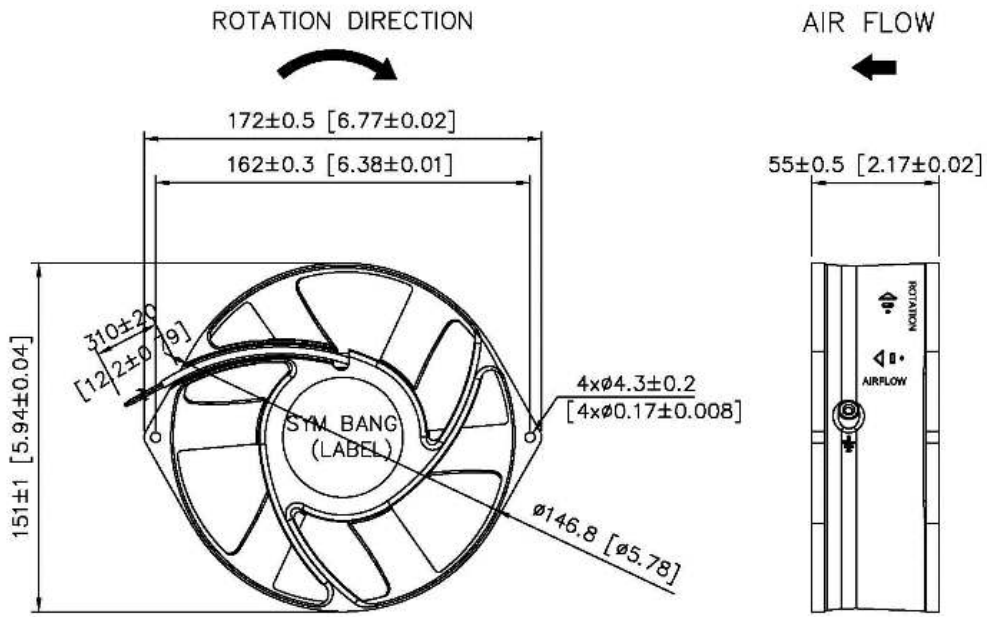
 mm

## SPECIFICATION

MODEL NO.	RATED VOLTAGE(V)	RATED CURRENT(A)	INPUT POWER(W)	SPEED (RPM)	MAX. AIR PRESSURE		MAX. AIR FLOW		NOISE dB(A) @1M
					inchH2O	mmH2O	CFM	m3/min	
D15055V12SLBM-DA	12	2.76	33.12	4000	1.01	25.6	295	8.35	68
D15055V12HBM-DA	12	2.39	28.68	3600	0.81	20.5	260	7.36	65
D15055V12MBM-DA	12	1.60	19.20	3200	0.63	15.9	230	6.51	62
D15055V12LBM-DA	12	1.17	14.04	2800	0.48	12.1	195	5.52	59
D15055V24SHBM-DA	24	2.30	55.20	4800	1.41	35.7	345	9.76	74
D15055V24SMBM-DA	24	1.80	43.20	4400	1.21	30.7	325	9.2	71
D15055V24SLBM-DA	24	1.38	33.12	4000	1.01	25.6	295	8.35	68
D15055V24HBM-DA	24	1.07	25.68	3600	0.81	20.5	260	7.36	65
D15055V24MBM-DA	24	0.77	18.48	3200	0.63	15.9	230	6.51	62
D15055V24LBM-DA	24	0.56	13.44	2800	0.48	12.1	195	5.52	59
D15055V48SHBM-DA	48	1.18	56.64	4800	1.41	35.7	345	9.76	74
D15055V48SMBM-DA	48	0.90	43.20	4400	1.21	30.7	325	9.2	71
D15055V48SLBM-DA	48	0.69	33.12	4000	1.01	25.6	295	8.35	68
D15055V48HBM-DA	48	0.51	24.48	3600	0.81	20.5	260	7.36	65
D15055V48MBM-DA	48	0.39	18.72	3200	0.63	15.9	230	6.51	62
D15055V48LBM-DA	48	0.28	13.44	2800	0.48	12.1	195	5.52	59

## DIMENSION

SYMBANG



UNIT: mm[inch]

# AIR PERFORMANCE

