

D

17251

172x151x51mm(6.77"x5.94"x2")



HOUSING Aluminum Die Casting, Painted Black
IMPELLER Thermoplastic PBT, UL94V-0
BEARING Ball
OPERATING TEMPERATURE -10°C to + 60°C
DIELECTRIC STRENGTH 5mA Max. at 500 VAC for 1 minute
INSULATION RESISTANCE 10M Ω min. @500 VDC
WEIGHT 792 g
ROHS COMPLIANCE Yes
IP LEVEL IP21 (Special IP Rating On Request)

172

 mm

SPECIFICATION

MODEL NO.	RATED VOLTAGE(V)	RATED CURRENT(A)	INPUT POWER(W)	SPEED (RPM)	MAX. AIR PRESSURE		MAX. AIR FLOW		NOISE dB(A) @1M
					inchH2O	mmH2O	CFM	m3/min	
D17251V12H	12	1.90	23.0	3400	0.73	18.50	228	6.46	58
D17251V12M	12	1.40	16.8	3000	0.62	15.75	203	5.75	56
D17251V12L	12	0.85	10.2	2600	0.47	11.94	175	4.96	52
D17251V12XL	12	0.60	7.2	2200	0.36	9.14	149	4.22	46
D17251V24H	24	0.87	21.0	3400	0.73	18.50	228	6.46	58
D17251V24M	24	0.65	16.0	3000	0.62	15.75	203	5.75	56
D17251V24L	24	0.44	10.5	2600	0.47	11.94	175	4.96	52
D17251V24XL	24	0.30	7.4	2200	0.36	9.14	149	4.22	46
D17251V48H	48	0.50	24.0	3400	0.73	18.50	228	6.46	58
D17251V48M	48	0.35	17.0	3000	0.62	15.75	203	5.75	56
D17251V48L	48	0.28	13.0	2600	0.47	11.94	175	4.96	52
D17251V48XL	48	0.19	9.0	2200	0.36	9.14	149	4.22	46

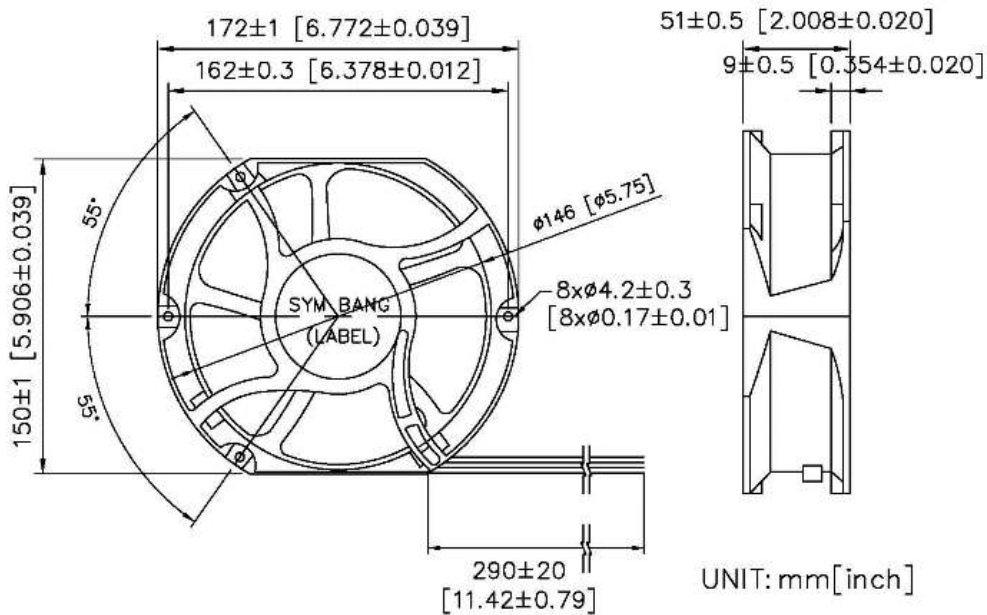
DIMENSION

SYMBANG

ROTATION DIRECTION



AIR FLOW



AIR PERFORMANCE

