

80×80×20 mm

San Ace 80 9P_{type}   



General Specifications


- Material Frame: Plastic (Flammability: UL 94V-0), Impeller: Plastic (Flammability: UL 94V-1)
- Expected life See the table below. (L10 life: 90% survival rate for continuous operation in free air at 60°C, rated voltage)
Expected life at 40°C is for reference only.
- Motor protection function Locked rotor burnout protection, Reverse polarity protection
For details, please refer to p. 599.
- Dielectric strength 50/60 Hz, 500 VAC, for 1 minute (between lead wire conductors and frame)
- Insulation resistance 10 MΩ or more with a 500 VDC megger (between lead wire conductors and frame)
- Sound pressure level (SPL) At 1 m away from the air inlet
- Storage temperature -30 to +70°C (Non-condensing)
- Lead wire ⊕Red ⊖Black or Blue Sensor Yellow
- Mass 100 g

Specifications

The models listed below **have ribs and pulse sensors.**

Model no.	Rated voltage [V]	Operating voltage range [V]	Rated current [A]	Rated input [W]	Rated speed [min ⁻¹]	Max. airflow [m ³ /min] [CFM]	Max. static pressure [Pa] [inchH ₂ O]	SPL [dB (A)]	Operating temperature [°C]	Expected life [h]
109P0812C601	12	10.2 to 13.8	0.29	3.48	3700	1.07 37.8	46 0.185	39	-20 to +60	60000/60°C (90000/40°C)
109P0812H601			0.21	2.52	2900	0.84 29.7	29.4 0.118	31		
109P0812M601			0.13	1.56	2300	0.67 23.7	18.6 0.075	25		
109P0824H601	24	20.4 to 27.6	0.12	2.88	2900	0.84 29.7	29.4 0.118	31	-20 to +70	
109P0824M601			0.07	1.68	2300	0.67 23.7	18.6 0.075	25		
109P0848C601	48	38 to 57.6	0.08	3.84	3700	1.07 37.8	46 0.185	39	-20 to +60	
109P0848H601			0.05	2.4	2900	0.84 29.7	29.4 0.118	31		

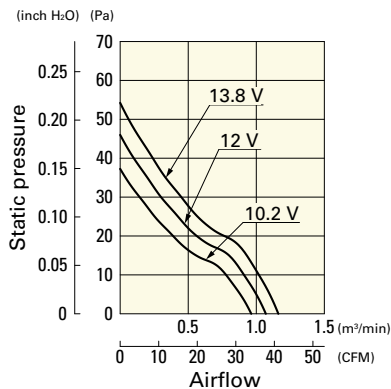
Note 1: Sensor and control options are available for selection. Refer to the table on p. 622.

Note 2: The  mark indicates Short LeadTime Service applicable models. See p. 654 for details.

Airflow - Static Pressure Characteristics

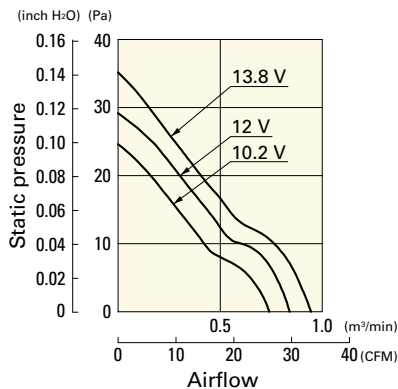
109P0812C601 With pulse sensor

Operating voltage range



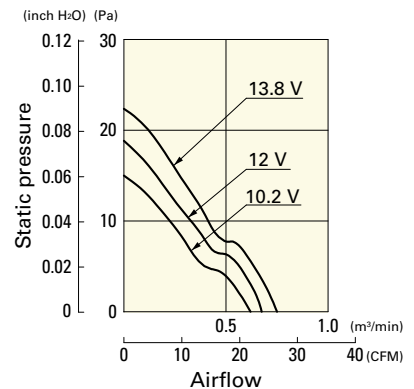
109P0812H601 With pulse sensor

Operating voltage range



109P0812M601 With pulse sensor

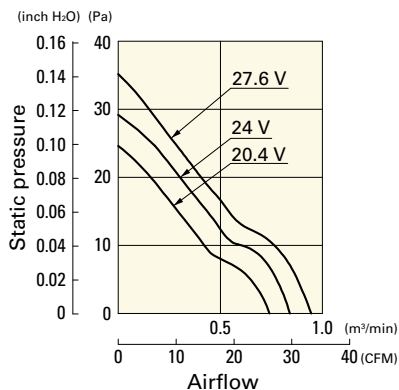
Operating voltage range



Airflow - Static Pressure Characteristics

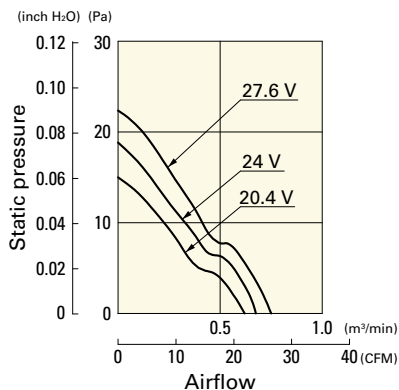
109P0824H601 With pulse sensor

Operating voltage range



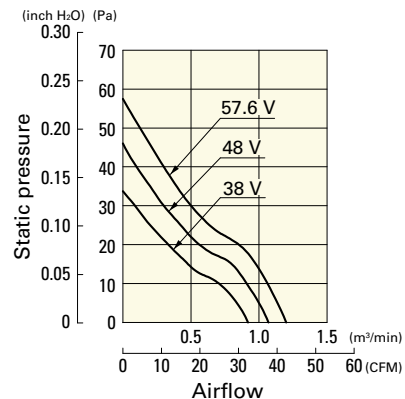
109P0824M601 With pulse sensor

Operating voltage range



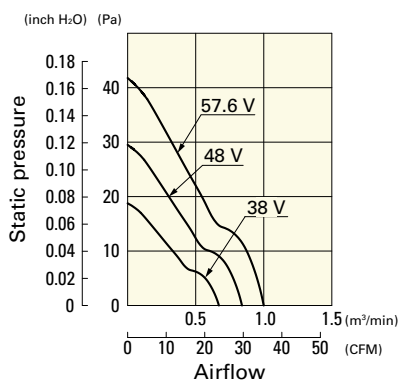
109P0848C601 With pulse sensor

Operating voltage range

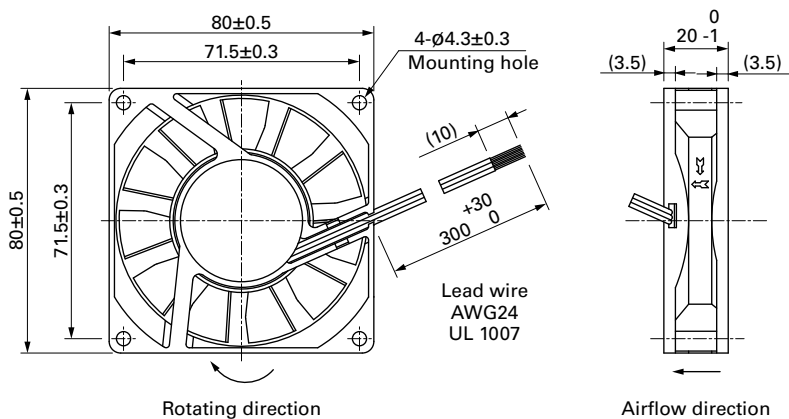


109P0848H601 With pulse sensor

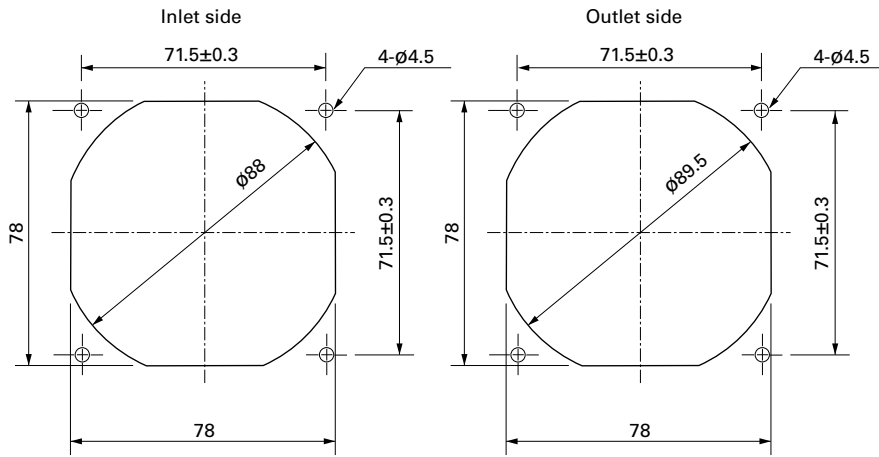
Operating voltage range



Dimensions (unit: mm)



Reference Dimensions of Mounting Holes and Vent Opening (unit: mm)



Options

Finger guards

page: p. 584

Model no.: 109-049E, 109-049H, 109-049C

Resin finger guards

page: p. 591

Model no.: 109-1002G

Resin filter kits

page: p. 592

Model no.: 109-1002F13 (13PPI), 109-1002F20 (20PPI),
109-1002F30 (30PPI), 109-1002F40 (40PPI)