

# D

# 17251-SU

172x151x51mm(6.77"x5.94"x2.01") **CE**



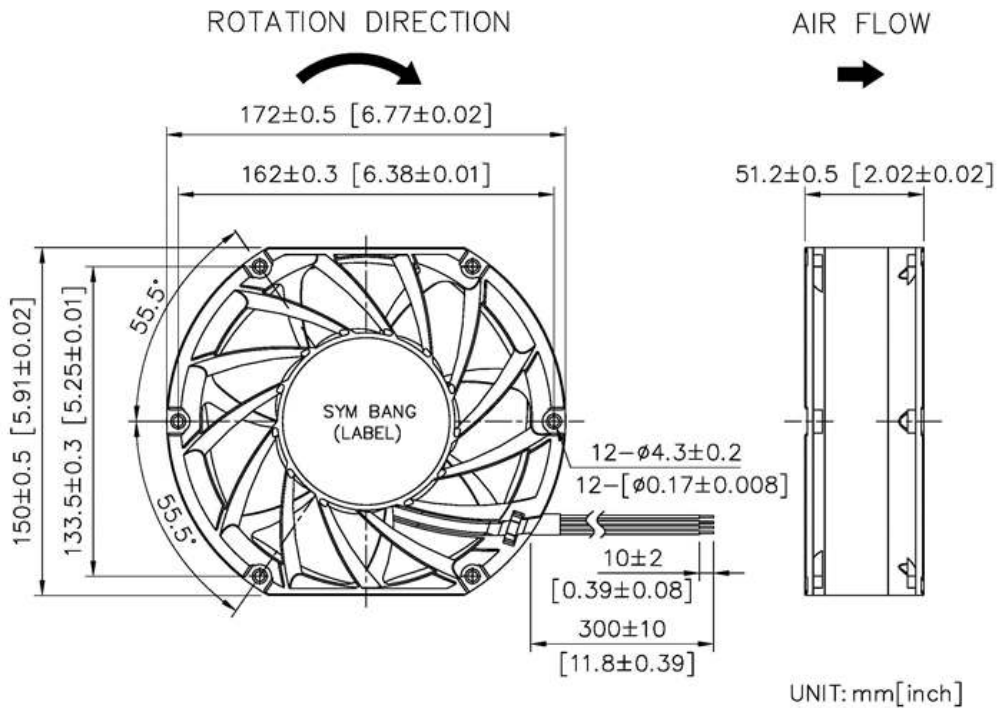
IMPELLER	Plastic Impeller
BEARING	Ball
INSULATION	Class F
TERMINATION	Lead Wire
OPERATING TEMPERATURE	-10°C to + 60°C
INSULATION RESISTANCE	10M Ω min. @500 VDC
DIELECTRIC STRENGTH	5mA Max. at 500 VAC for 1 minute
MOTOR TYPE	DC Brushless Fan Motor
SAFETY	Locked Rotor Protection and Polarity Protection
WEIGHT	870 g
ROHS COMPLIANCE	Yes
IP LEVEL	IP21 (Special IP Rating On Request)

# 172mm

## SPECIFICATION

MODEL NO.	RATED VOLTAGE(V)	RATED CURRENT(A)	INPUT POWER(W)	SPEED (RPM)	MAX. AIR PRESSURE		MAX. AIR FLOW		NOISE dB(A) @1M
					inchH2O	mmH2O	CFM	m3/min	
D17251V48XLB-SU	48	1.00	48.0	5000	1.69	43.0	355	10.05	72
D17251V48LB-SU	48	1.80	86.4	6000	2.20	56.0	425	12.03	72
D17251V48MB-SU	48	2.30	110.4	6500	2.83	72.0	459	13.00	72
D17251V48HB-SU	48	2.90	139.2	7000	3.32	84.4	495	14.02	72
D17251V48SLB-SU	48	3.00	144.0	7200	3.50	89.0	508	14.38	72
D17251V48SHB-SU	48	3.40	163.2	7500	3.81	96.9	530	15.01	72

## DIMENSION



# AIR PERFORMANCE

