

# D

# 17251M

172x151x51mm(6.77"x5.94"x2")



HOUSING Aluminum Die Casting, Painted Black  
 IMPELLER Metal  
 BEARING Ball  
 OPERATING TEMPERATURE -10°C to + 70°C  
 DIELECTRIC STRENGTH 5mA Max. at 500 VAC for 1 minute  
 INSULATION RESISTANCE 10M Ω min. @500 VDC  
 WEIGHT 1.15 kg  
 ROHS COMPLIANCE Yes  
 IP LEVEL IP21 (Special IP Rating On Request)

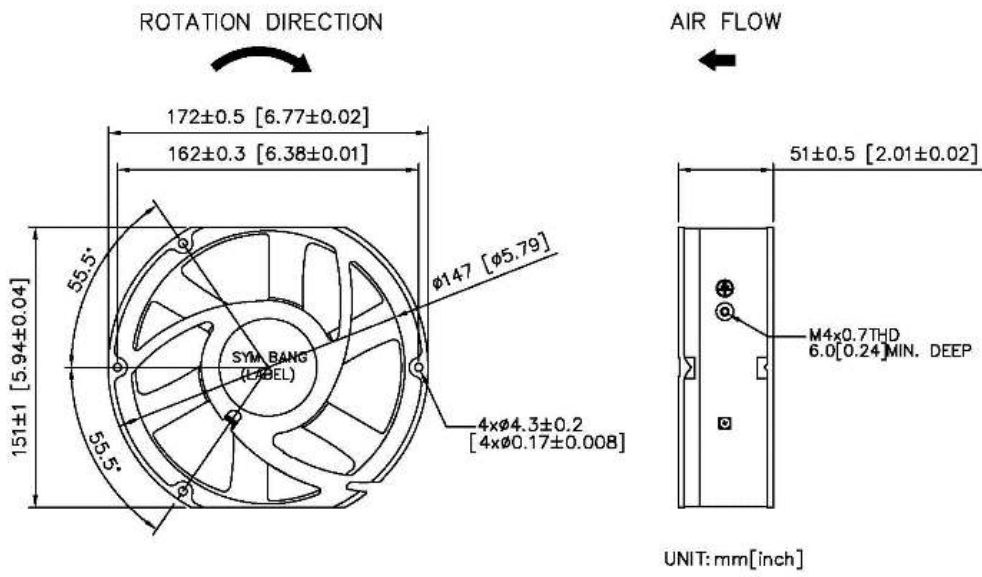
# 172 mm

## SPECIFICATION

MODEL NO.	RATED VOLTAGE(V)	RATED CURRENT(A)	INPUT POWER(W)	SPEED (RPM)	MAX. AIR PRESSURE		MAX. AIR FLOW		NOISE dB(A) @1M
					inchH2O	mmH2O	CFM	m3/min	
D17251V12SLBM	12	3.40	40.8	4000	1.10	27.8	310	8.77	64
D17251V12HBM	12	2.37	28.44	3600	0.89	22.7	275	7.78	60
D17251V12MBM	12	1.65	19.8	3200	0.71	18.1	245	6.93	56
D17251V12LBM	12	1.08	12.96	2800	0.56	14.2	210	5.94	52
D17251V24SHBM	24	2.24	53.76	4800	1.49	37.8	360	10.19	72
D17251V24SMBM	24	1.88	45.12	4400	1.30	32.9	340	9.62	68
D17251V24SLBM	24	1.36	32.64	4000	1.10	27.8	310	8.77	64
D17251V24HBM	24	1.10	26.4	3600	0.89	22.7	275	7.78	60
D17251V24MBM	24	0.76	18.24	3200	0.71	18.1	245	6.93	56
D17251V24LBM	24	0.54	12.96	2800	0.56	14.2	210	5.94	52
D17251V48SHBM	48	1.12	53.76	4800	1.49	37.8	360	10.19	72
D17251V48SMBM	48	0.94	45.12	4400	1.30	32.9	340	9.62	68
D17251V48SLBM	48	0.68	32.64	4000	1.10	27.8	310	8.77	64
D17251V48HBM	48	0.53	25.44	3600	0.89	22.7	275	7.78	60
D17251V48MBM	48	0.38	18.24	3200	0.71	18.1	245	6.93	56
D17251V48LBM	48	0.27	12.96	2800	0.56	14.2	210	5.94	52

## DIMENSION

SYMBAND



# AIR PERFORMANCE

D17251M

