

# D

# 22060-TK

Ø220x60mm(Ø8.66"x2.36")



HOUSING	Aluminum Die Casting, Painted Black
IMPELLER	Thermoplastic PBT
BEARING	Ball
INSULATION	Class A
TERMINATION	Lead Wire
OPERATING TEMPERATURE	-10°C to + 70°C
DIELECTRIC STRENGTH	5mA Max. at 500 VAC for 1 minutes
INSULATION RESISTANCE	10M Ω min. @500 VDC
SAFETY	Thermally Protected
WEIGHT	930g
ROHS COMPLIANCE	Yes
IP LEVEL	IP21 (Special IP Rating On Request)

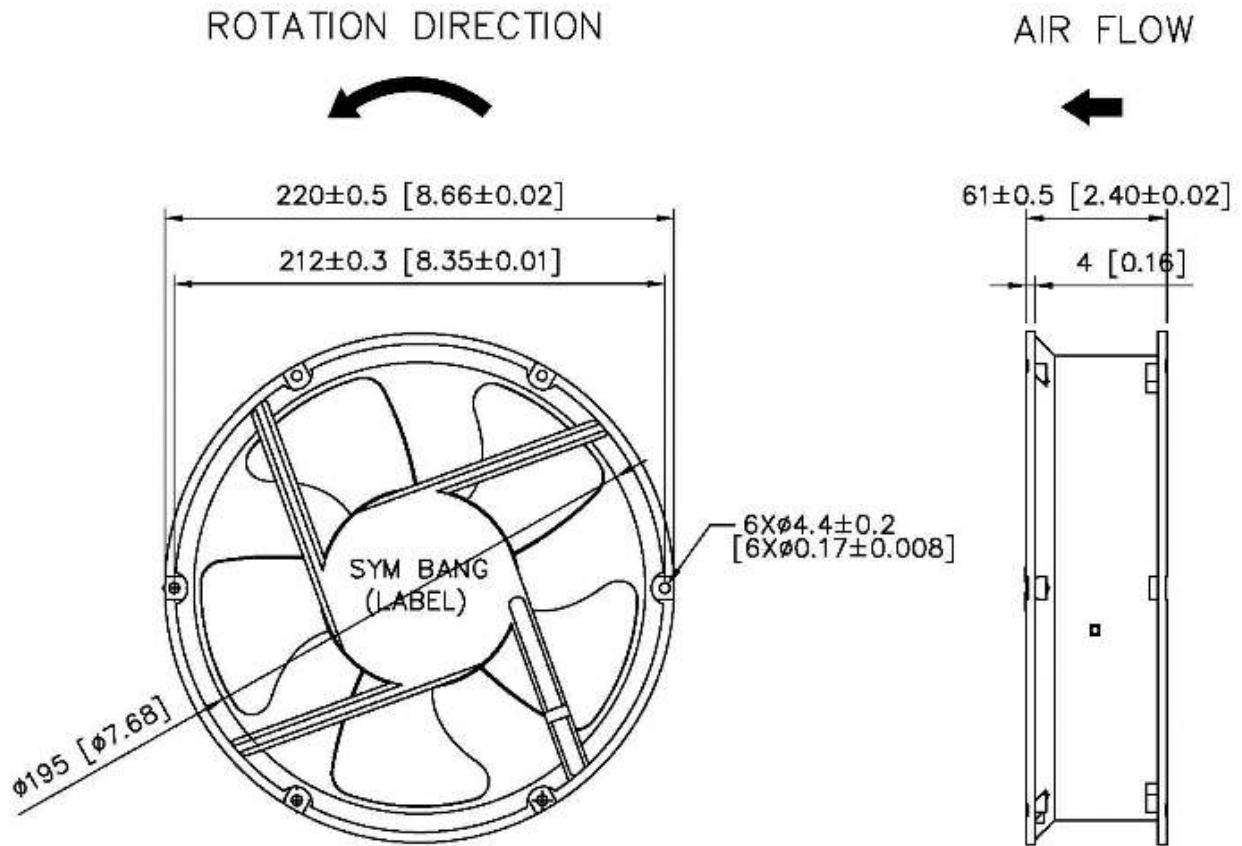
# 220mm

## SPECIFICATION

MODEL NO.	RATED VOLTAGE(V)	RATED CURRENT(A)	INPUT POWER(W)	SPEED (RPM)	MAX. AIR PRESSURE		MAX. AIR FLOW		NOISE dB(A) @1M
					inchH2O	mmH2O	CFM	m3/min	
D22060V48MB-TK	48	0.37	17.76	2000	0.26	6.65	400.58	11.34	54.6
D22060V48HB-TK	48	0.66	31.68	2500	0.48	12.15	513.39	14.54	60.0
D22060V48SLB-TK	48	1.07	51.36	3000	0.68	17.28	586.69	16.61	63.6
D22060V48SMB-TK	48	1.67	80.16	3500	0.87	22.02	645.61	18.28	68.5
D22060V24MB-TK	24	0.78	18.72	2000	0.26	6.65	400.58	11.34	54.6
D22060V24HB-TK	24	1.39	33.36	2500	0.48	12.15	513.39	14.54	60.0
D22060V24SLB-TK	24	2.25	54.00	3000	0.68	17.28	586.69	16.61	63.6
D22060V24SMB-TK	24	3.52	84.48	3500	0.87	22.02	645.61	18.28	68.5
D22060V12MB-TK	12	1.65	19.80	2000	0.26	6.65	400.58	11.34	54.6
D22060V12HB-TK	12	2.92	35.04	2500	0.48	12.15	513.39	14.54	60.0
D22060V12SLB-TK	12	4.73	56.76	3000	0.68	17.28	586.69	16.61	63.6
D22060V12SMB-TK	12	7.40	88.80	3500	0.87	22.02	645.61	18.28	68.5

SYMBANG

## DIMENSION



UNIT: mm[inch]

## AIR PERFORMANCE

