

D 25089



Ø254x89mm(Ø10"x3.50")



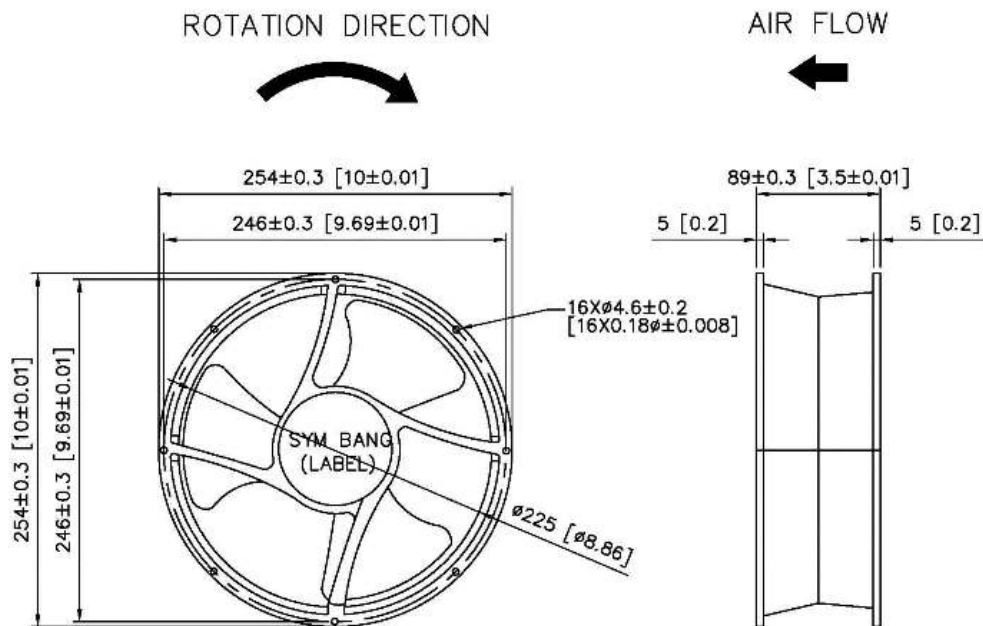
HOUSING	Aluminum Die Casting, Painted Black
IMPELLER	Thermoplastic PC+30%Glass Fiber
BEARING	Ball
OPERATING TEMPERATURE	-10°C to + 60°C
DIELECTRIC STRENGTH	5mA Max. at 500 VAC for 1 minute
INSULATION RESISTANCE	10M Ω min. @500 VDC
WEIGHT	2.2 kg
ROHS COMPLIANCE	Yes
IP LEVEL	IP21 (Special IP Rating On Request)

254mm

SPECIFICATION

MODEL NO.	RATED VOLTAGE(V)	RATED CURRENT(A)	INPUT POWER(W)	SPEED (RPM)	MAX. AIR PRESSURE		MAX. AIR FLOW		NOISE dB(A) @1M
					inchH2O	mmH2O	CFM	m3/min	
D25089V24HB	24	2.20	52.8	2300	0.51	13.0	740	20.9	65
D25089V24MB	24	1.70	40.8	2100	0.48	12.1	700	19.8	56
D25089V24LB	24	1.10	26.4	1800	0.39	10.0	600	17.0	50
D25089V48HB	48	1.10	52.8	2300	0.51	13.0	740	20.9	65
D25089V48MB	48	0.85	40.8	2100	0.48	12.1	700	19.8	56
D25089V48LB	48	0.55	26.4	1800	0.39	10.0	600	17.0	50

DIMENSION



UNIT: mm[inch]

AIR PERFORMANCE

