

# DB 2608



26x20x8mm(1.02"x0.78"x0.31")



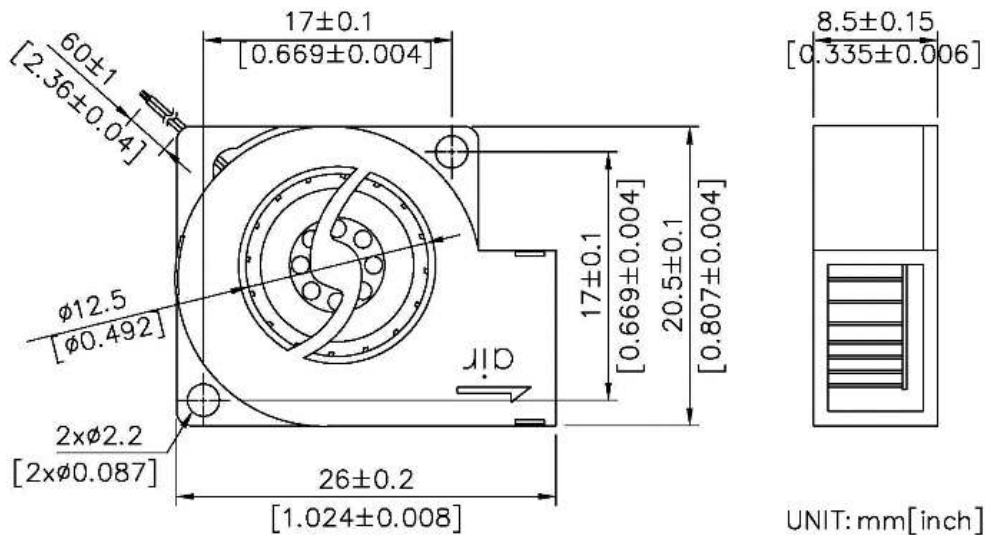
HOUSING	Thermoplastic PBT+30% Fiber Glass UL94V-0
IMPELLER	Thermoplastic PBT+30% Fiber Glass UL94V-0
BEARING	Sleeve
OPERATING TEMPERATURE	-10°C to + 60°C
DIELECTRIC STRENGTH	5mA Max. at 500 VAC for 1 minute
INSULATION RESISTANCE	10M Ω min. @500 VDC
WEIGHT	3 g
ROHS COMPLIANCE	Yes
APPLICATION	For Pocket Projector, MID, UMPC, Smartbook, CCTV, Portable GPS, Micro Fuel Cell, portable Gas Particulate Detector, Potable Plasma Generator, Mask/Goggle/Helmet/Ventilation and Defrosting
IP LEVEL	IP57 (Special IP Rating On Request)

26 mm

## SPECIFICATION

MODEL NO.	RATED VOLTAGE(V)	RATED CURRENT(A)	INPUT POWER(W)	SPEED (RPM)	MAX. AIR PRESSURE		MAX. AIR FLOW		NOISE dB(A) @1M
					inchH2O	mmH2O	CFM	m3/min	
DB2608V3SLS	3.3	0.100	0.330	8000	0.145	3.70	0.48	0.014	15
DB2608V3HS	3.3	0.045	0.149	6000	0.076	1.92	0.37	0.010	12
DB2608V5SLS	5	0.140	0.700	11000	0.340	8.70	0.67	0.018	23
DB2608V5HS	5	0.065	0.325	8000	0.186	4.73	0.47	0.013	18

## DIMENSION



# AIR PERFORMANCE

