

DB

3507-YC

35x35x7.5mm(1.38"x1.38"x0.30") **CE**



HOUSING	Thermoplastic PBT, UL94V-0 Cover is stainless steel
IMPELLER	Fiber Glass UL94V-0
BEARING	Sleeve
OPERATING TEMPERATURE	-10°C to +60°
DIELECTRIC STRENGTH	5mA Max. at 500 VAC for 1 second
INSULATION RESISTANCE	10M Ω min. @500 VDC
WEIGHT	15 g
ROHS COMPLIANCE	Yes
IP LEVEL	IP21 (Special IP Rating On Request)

35 mm

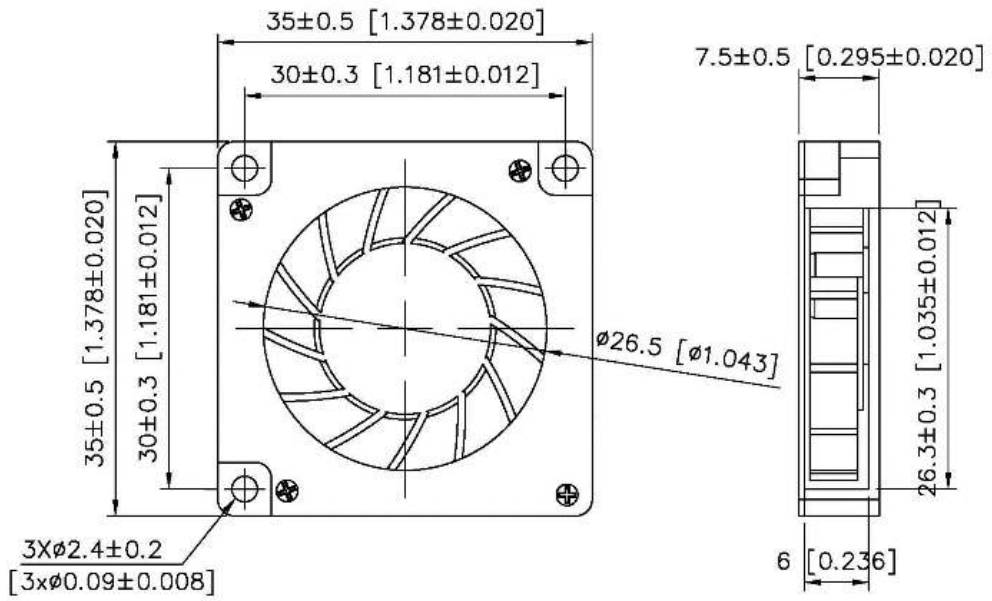
SPECIFICATION

MODEL NO.	RATED VOLTAGE(V)	RATED CURRENT(A)	INPUT POWER(W)	SPEED (RPM)	MAX. AIR PRESSURE		MAX. AIR FLOW		NOISE dB(A) @1M
					inchH2O	mmH2O	CFM	m3/min	
DB3507V12LS-YC	12	0.06	0.72	4500	0.13	3.40	0.85	0.024	23.40
DB3507V12MS-YC	12	0.10	1.20	5500	0.19	4.80	1.10	0.031	25.60
DB3507V12HS-YC	12	0.15	1.80	7000	0.26	6.50	1.20	0.034	27.90
DB3507V5LS-YC	5	0.10	0.50	4500	0.13	3.40	0.85	0.024	23.40
DB3507V5MS-YC	5	0.15	0.75	5500	0.19	4.80	1.10	0.031	25.60
DB3507V5HS-YC	5	0.20	1.00	6500	0.26	6.50	1.20	0.034	27.90

DIMENSION

SYMBANG

AIR FLOW



UNIT: mm[inch]

AIR PERFORMANCE

