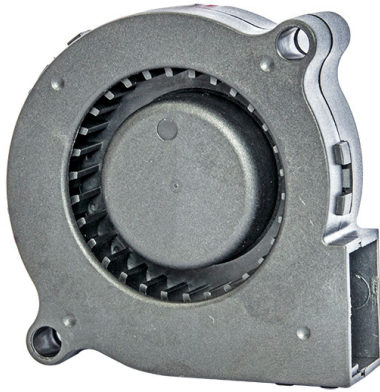


DB 5015-C



51x51x15mm(2.0"x2.0"x0.59")



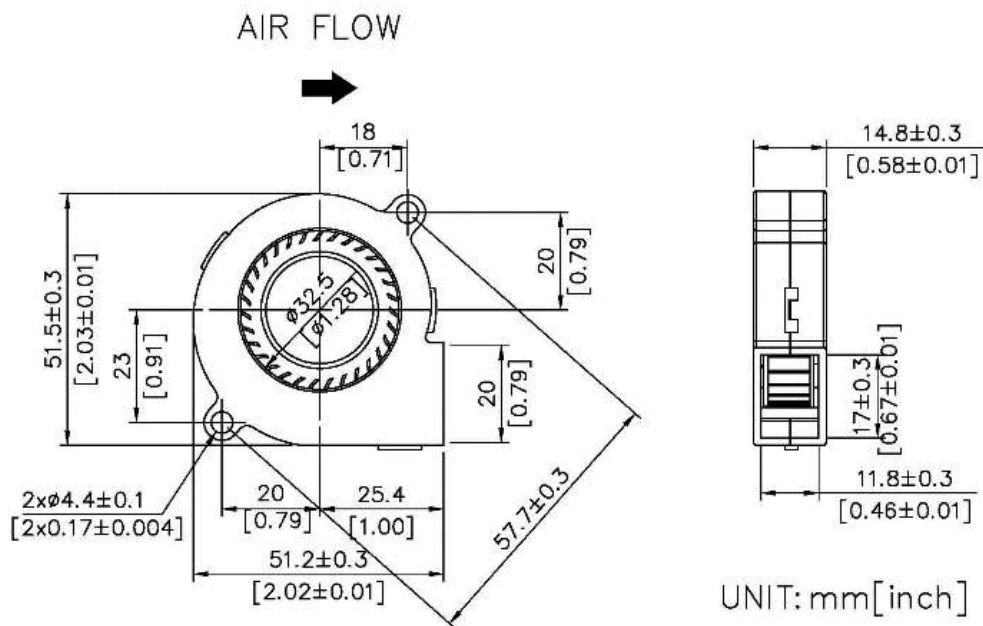
| | |
|-----------------------|-------------------------------------|
| HOUSING | Thermoplastic PBT, UL94V-0 |
| IMPELLER | Thermoplastic PBT, UL94V-0 |
| BEARING | Ball or Sleeve |
| OPERATING TEMPERATURE | -10°C to + 70°C |
| DIELECTRIC STRENGTH | 5mA Max. at 500 VAC for 1 minute |
| INSULATION RESISTANCE | 10M Ω min. @500 VDC |
| WEIGHT | 28 g |
| ROHS COMPLIANCE | Yes |
| IP LEVEL | IP21 (Special IP Rating On Request) |

51 mm

SPECIFICATION

| MODEL NO. | RATED VOLTAGE(V) | RATED CURRENT(A) | INPUT POWER(W) | SPEED (RPM) | MAX. AIR PRESSURE | | MAX. AIR FLOW | | NOISE dB(A) @1M |
|--------------|------------------|------------------|----------------|-------------|-------------------|-------|---------------|--------|-----------------|
| | | | | | inchH2O | mmH2O | CFM | m3/min | |
| DB5015V5H-C | 5 | 0.28 | 1.4 | 5000 | 0.7 | 17.78 | 4.4 | 0.12 | 38 |
| DB5015V5M-C | 5 | 0.18 | 0.9 | 4000 | 0.4 | 10.16 | 3.5 | 0.1 | 32 |
| DB5015V5L-C | 5 | 0.1 | 0.5 | 3000 | 0.24 | 6.09 | 2.5 | 0.07 | 25 |
| DB5015V12H-C | 12 | 0.14 | 1.68 | 5000 | 0.7 | 17.78 | 4.4 | 0.12 | 38 |
| DB5015V12M-C | 12 | 0.09 | 1.08 | 4000 | 0.4 | 10.16 | 3.5 | 0.1 | 32 |
| DB5015V12L-C | 12 | 0.06 | 0.72 | 3000 | 0.24 | 6.09 | 2.5 | 0.07 | 25 |

DIMENSION



AIR PERFORMANCE

