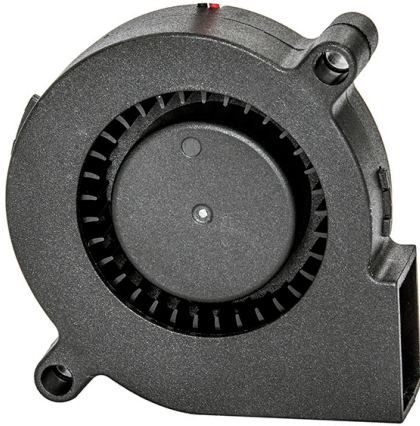


DB

5015-TK

51x51x15mm(2.0"x2.0"x0.59")



HOUSING Thermoplastic PBT, UL94V-0
IMPELLER Thermoplastic PBT, UL94V-0
BEARING Ball or Sleeve
OPERATING TEMPERATURE -10°C to + 70°C
DIELECTRIC STRENGTH 5mA Max. at 500 VAC for 1 minute
INSULATION RESISTANCE 10M Ω min. @500 VDC
WEIGHT 27 g
ROHS COMPLIANCE Yes
IP LEVEL IP21(Special IP Rating On Request)

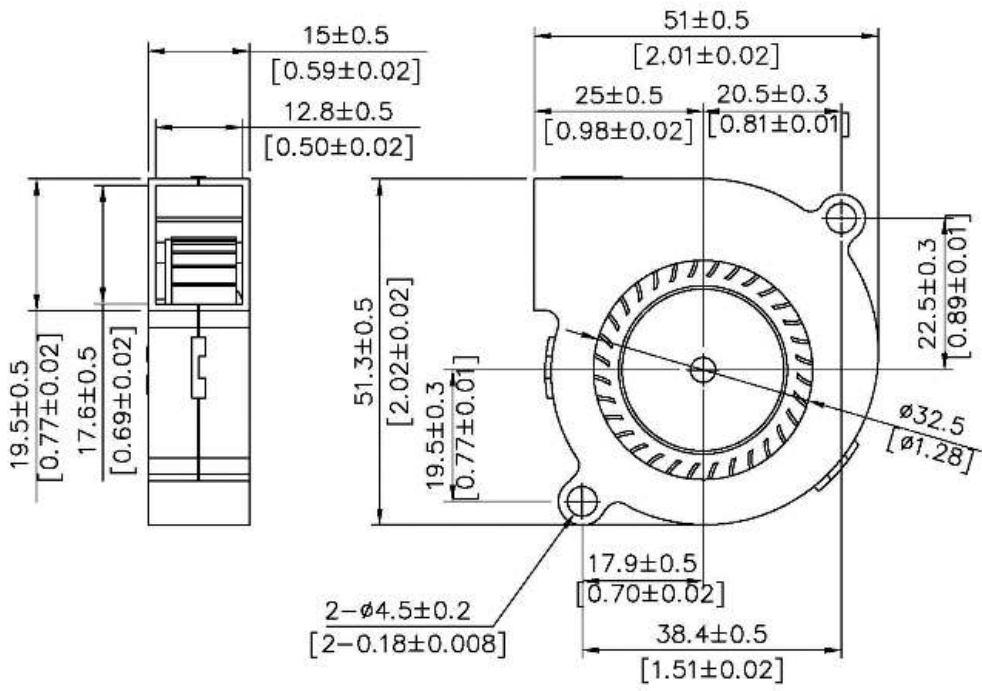
51 mm

SPECIFICATION

MODEL NO.	RATED VOLTAGE(V)	RATED CURRENT(A)	INPUT POWER(W)	SPEED (RPM)	MAX. AIR PRESSURE		MAX. AIR FLOW		NOISE dB(A) @1M
					inchH2O	mmH2O	CFM	m3/min	
DB5015V12XL-TK	12	0.140	1.68	4000	0.298	7.56	2.81	0.080	34.3
DB5015V12L-TK	12	0.180	2.16	4500	0.382	9.69	3.15	0.089	37.1
DB5015V12M-TK	12	0.220	2.64	5000	0.495	12.57	3.54	0.100	39.6
DB5015V12H-TK	12	0.260	3.12	5500	0.635	16.12	3.96	0.112	42.5
DB5015V12SL-TK	12	0.300	3.60	6000	0.764	19.38	4.23	0.120	44.3
DB5015V12SM-TK	12	0.320	3.84	6500	0.945	23.98	4.71	0.133	46.3
DB5015V5XL-TK	5	0.340	1.70	4000	0.298	7.56	2.81	0.080	34.3
DB5015V5L-TK	5	0.430	2.15	4500	0.382	9.69	3.15	0.089	37.1
DB5015V5M-TK	5	0.530	2.65	5000	0.495	12.57	3.54	0.100	39.6
DB5015V5H-TK	5	0.620	3.10	5500	0.635	16.12	3.96	0.112	42.5
DB5015V5SL-TK	5	0.720	3.60	6000	0.764	19.38	4.23	0.120	44.3
DB5015V5SM-TK	5	0.768	3.84	6500	0.945	23.98	4.71	0.133	46.3

DIMENSION

SYMBANG



UNIT: mm[inch]

AIR PERFORMANCE

