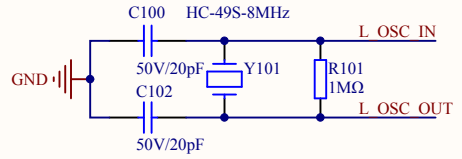
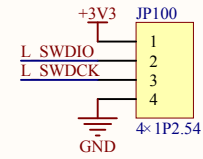
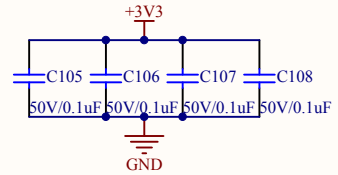
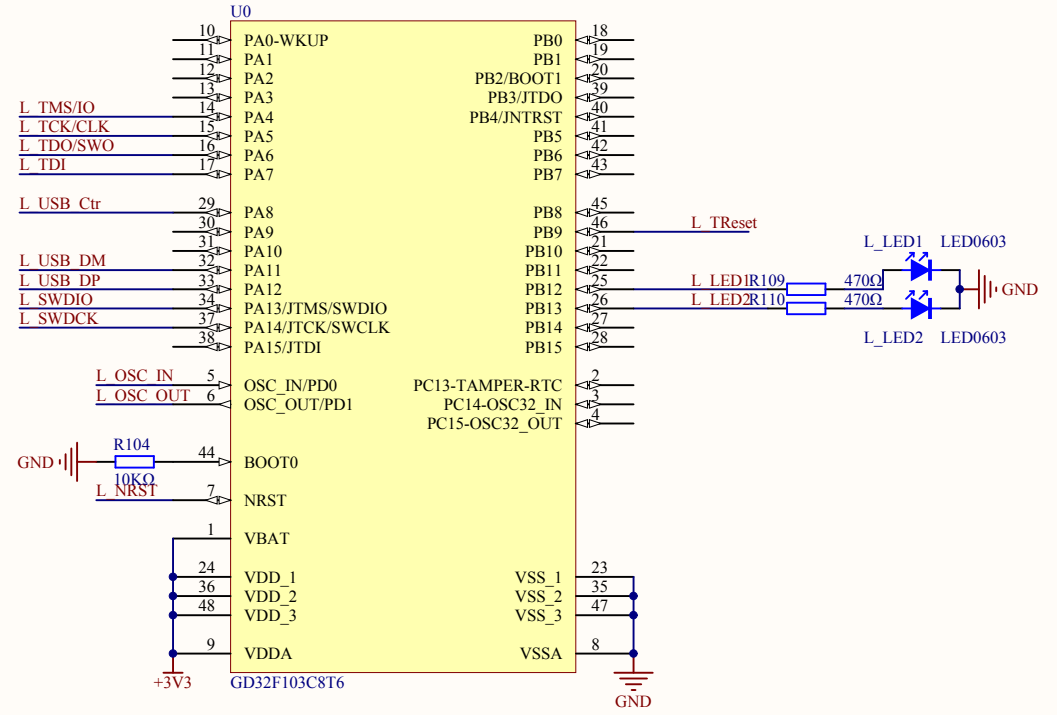
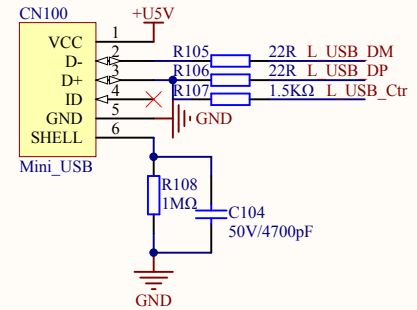
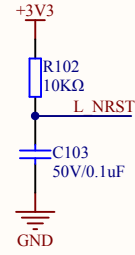


MCU SWD



Reset



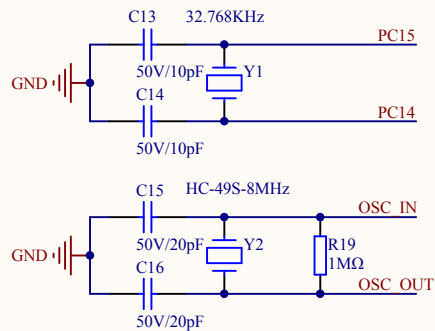
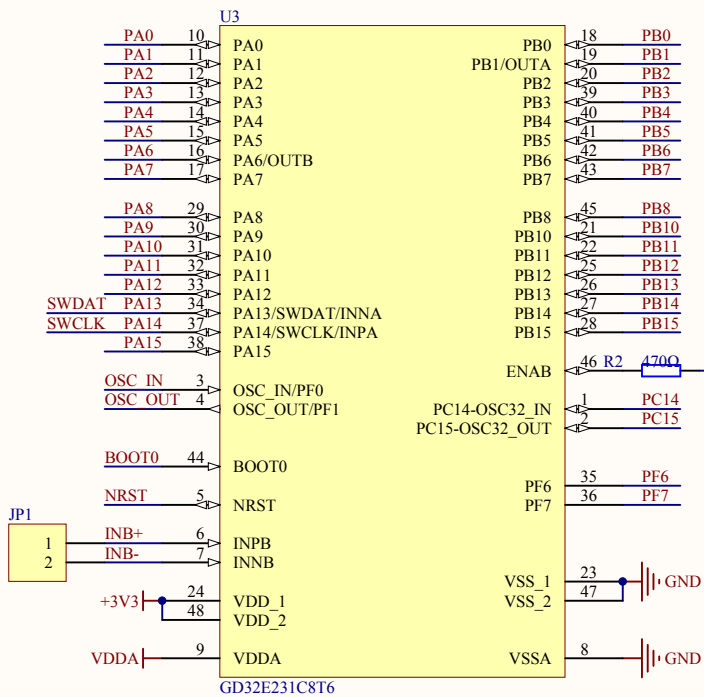
Company Name: GigaDevice

File Name: GDLink

Revision: 1.0

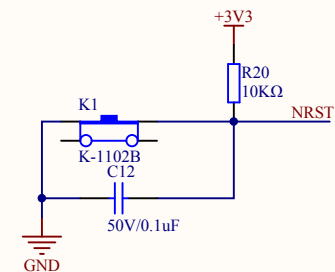
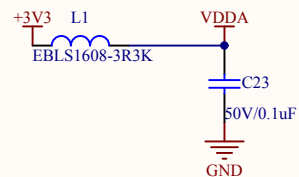
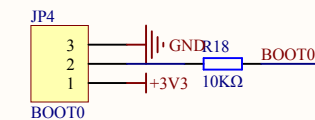
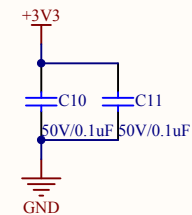
Data: 2018-9

Author: XuFei



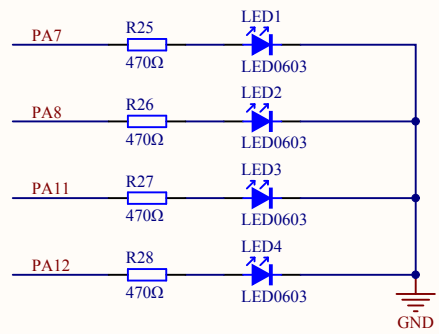
SWD GDLink

SWDAT	L TMS/IO
SWCLK	L TCK/CLK
NRST	L TRreset

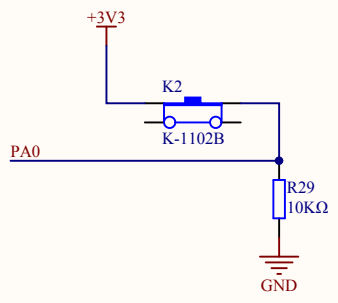


Company Name: GigaDevice		
File Name: MCU		
Revision: 1.0	Data: 2018-9	Author: Xufei

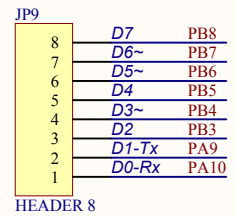
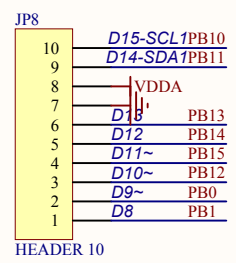
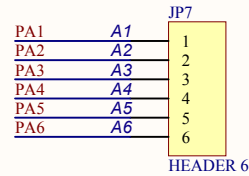
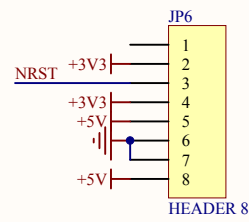
LED



KEY



Arduino



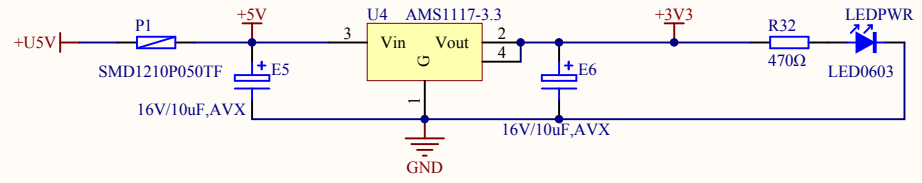
Company Name: GigaDevice

File Name: Peripherals

Revision: 1.0

Data: 2019-1

Author: Xufei



Company Name: GigaDevice

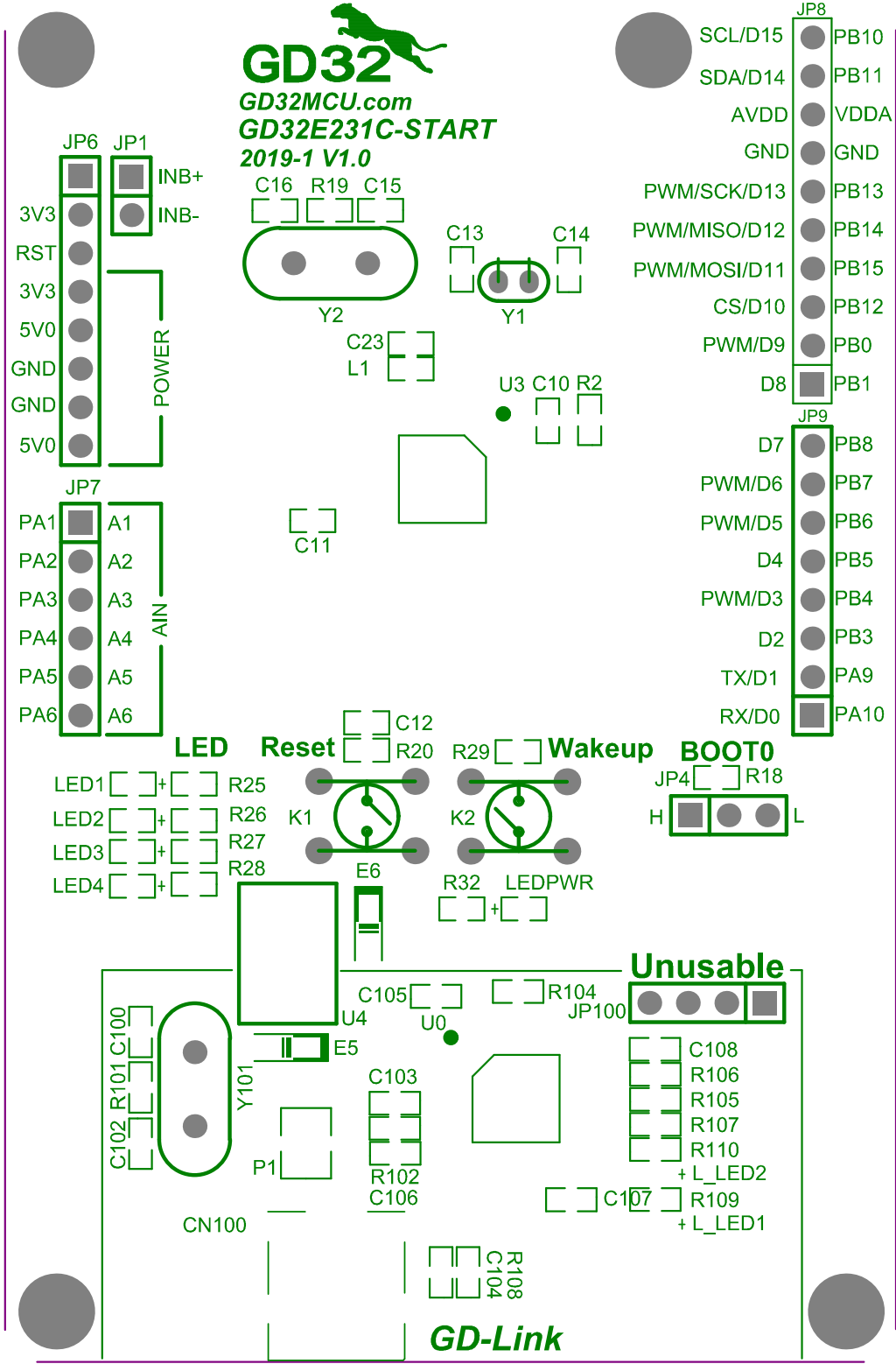
File Name: Power

Revision: 1.0

Data: 2018-9

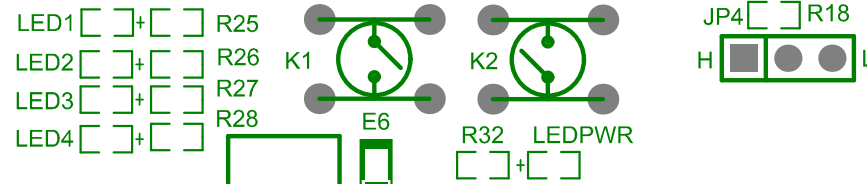
Author: Xufei

GD32
 GD32MCU.com
GD32E231C-START
 2019-1 V1.0



- SCL/D15 ● PB10
- SDA/D14 ● PB11
- AVDD ● VDDA
- GND ● GND
- PWM/SCK/D13 ● PB13
- PWM/MISO/D12 ● PB14
- PWM/MOSI/D11 ● PB15
- CS/D10 ● PB12
- PWM/D9 ● PB0
- D8 ● PB1
- D7 ● PB8
- PWM/D6 ● PB7
- PWM/D5 ● PB6
- D4 ● PB5
- PWM/D3 ● PB4
- D2 ● PB3
- TX/D1 ● PA9
- RX/D0 ● PA10

LED Reset **Wakeup** **BOOT0**



Unusable

