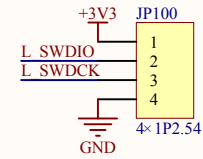
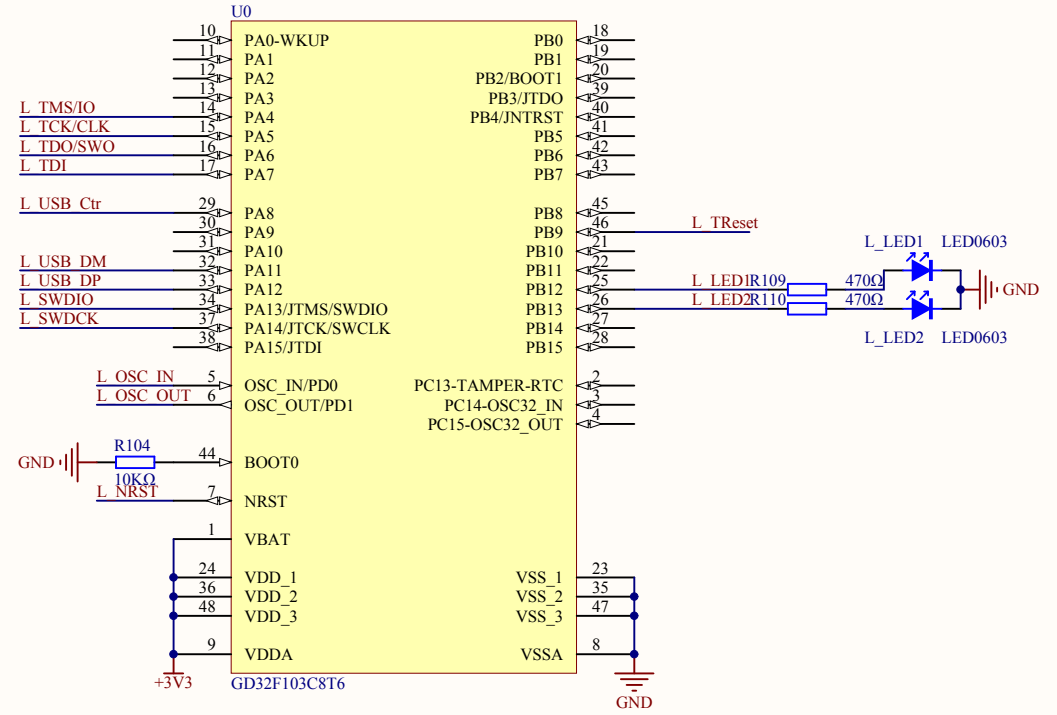
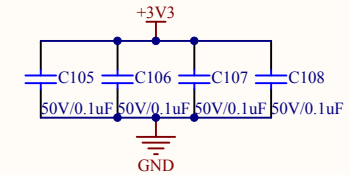
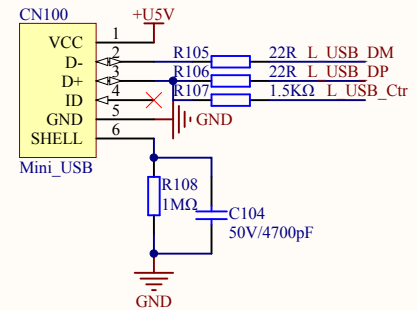
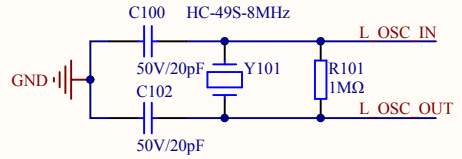
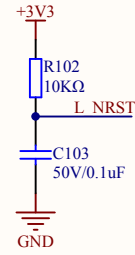


### MCU SWD



### Reset



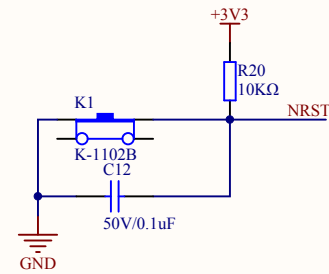
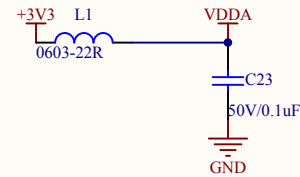
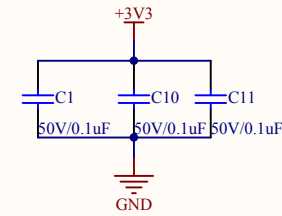
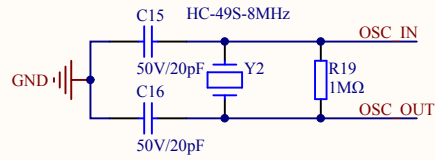
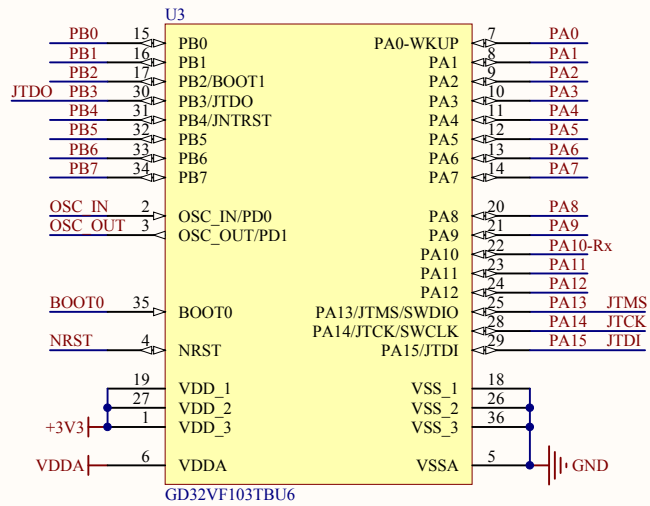
Company Name: GigaDevice

File Name: GDLink

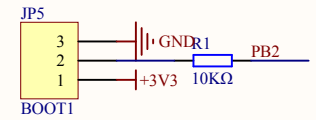
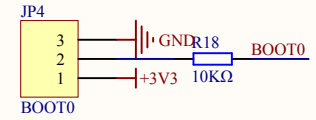
Revision: 1.0

Data: 2019-9

Author: XuFei



JTAG	GDLink
JTMS	L TMS/IO
JTCK	L TCK/CLK
NRST	L TRreset
JTDO	L TDO/SWO
JTDI	L TDI



**Company Name: GigaDevice**

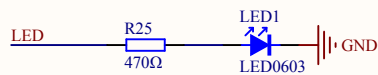
**File Name: MCU**

Revision: 1.0

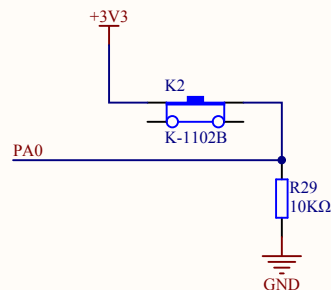
Data: 2019-8

Author: Xufei

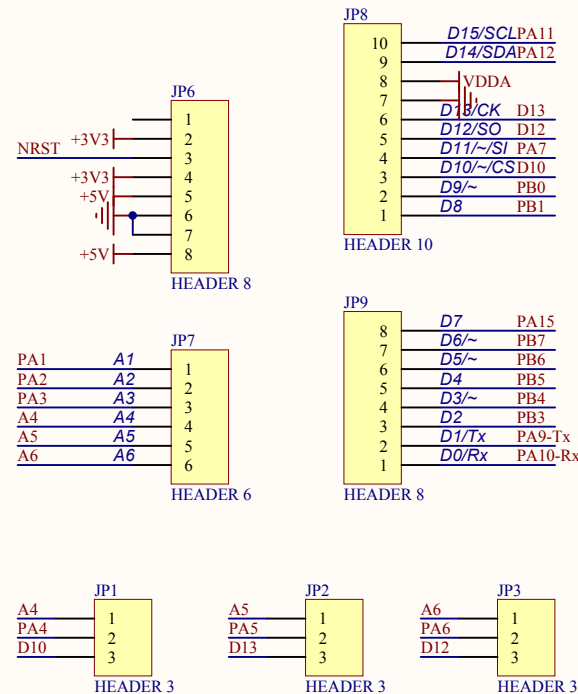
### LED



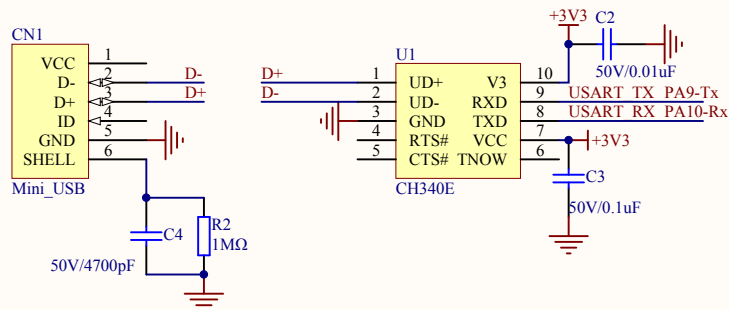
### KEY



### Arduino



### USART To USB



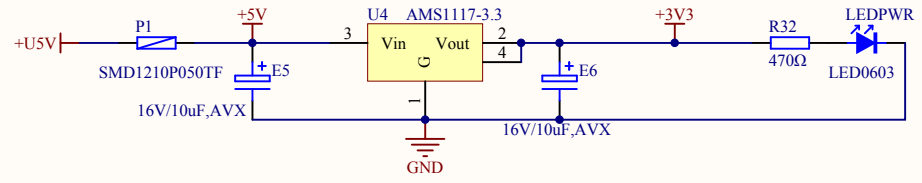
**Company Name: GigaDevice**

**File Name: Peripherals**

Revision: 1.0

Data: 2019-9

Author: Xufei



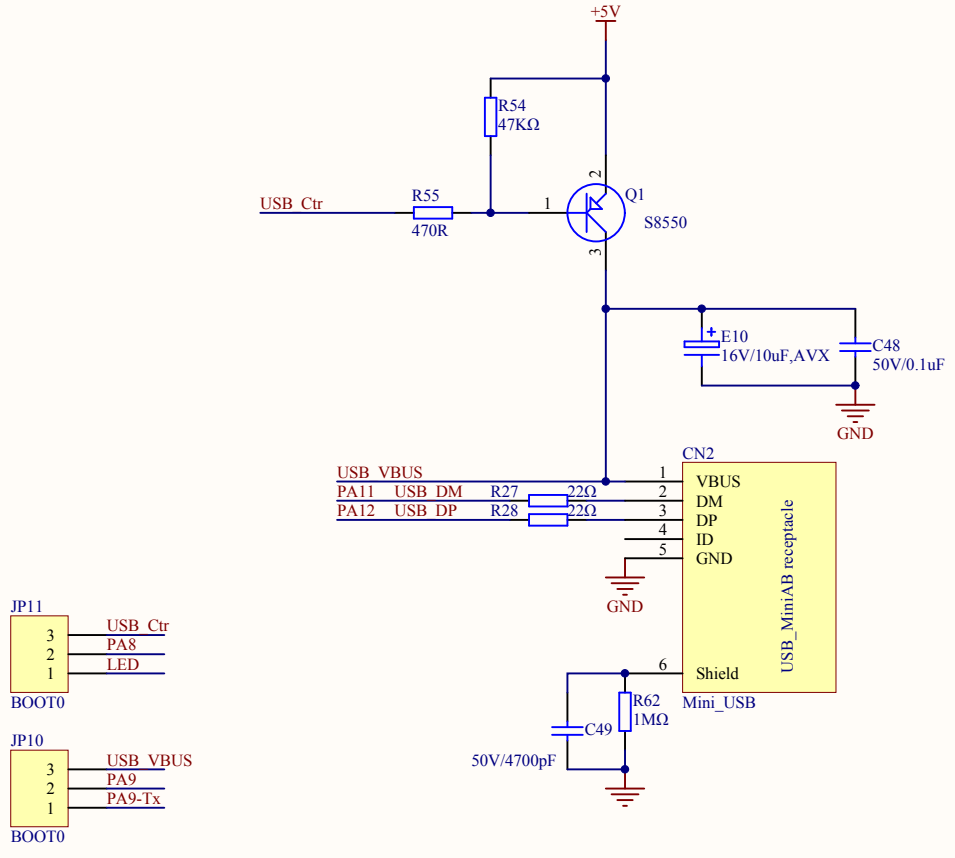
**Company Name: GigaDevice**

**File Name: Power**

Revision: 1.0

Data: 2019-9

Author: Xufei



**Company Name: GigaDevice**

**File Name: USB**

Revision: 1.0

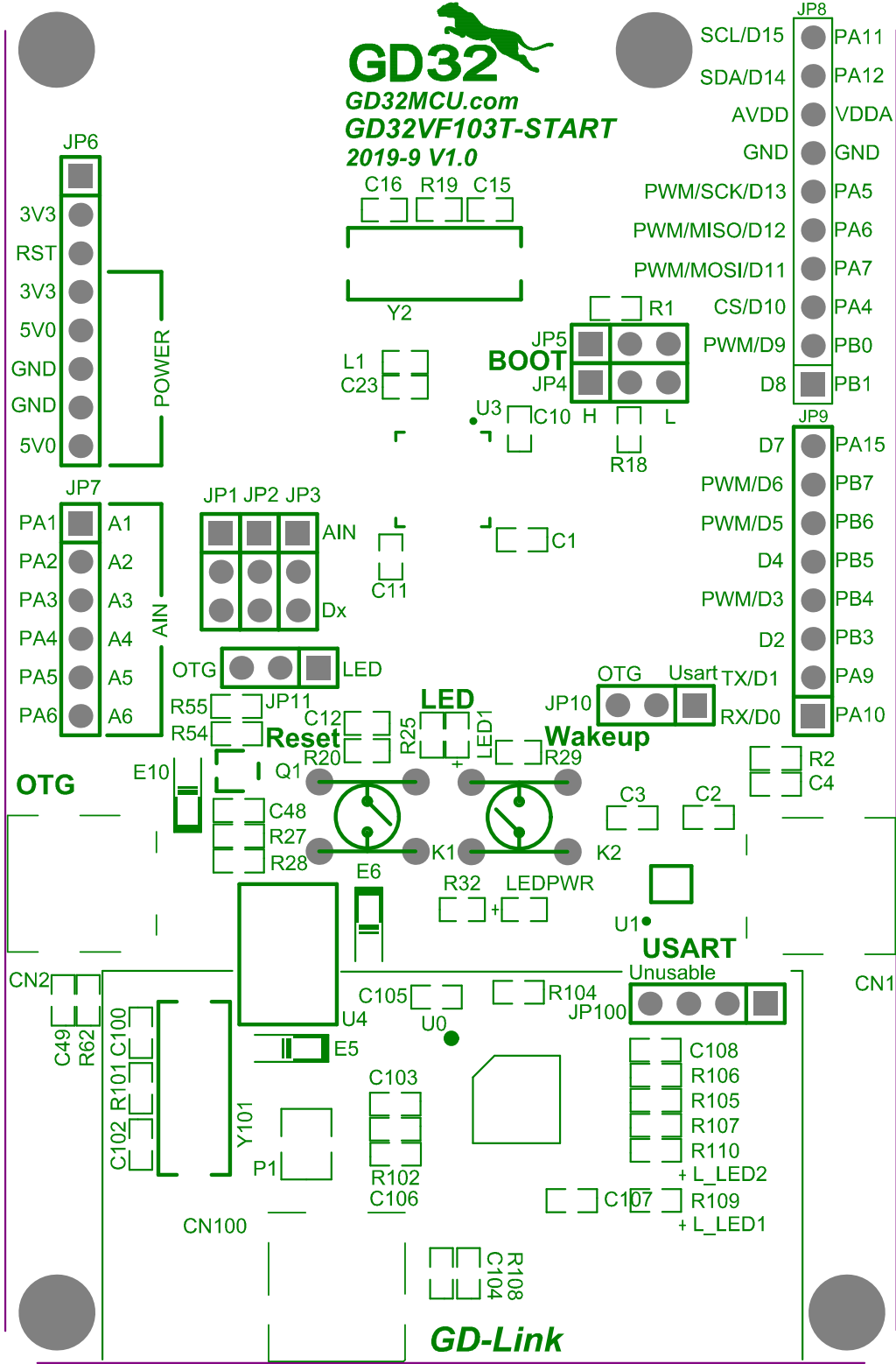
Data: 2019-9

Author: Xufei

# GD32



GD32MCU.com  
GD32VF103T-START  
2019-9 V1.0



GD-Link