

1

2

3

4

A

A

B

B

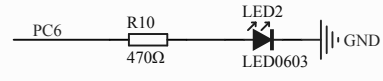
C

C

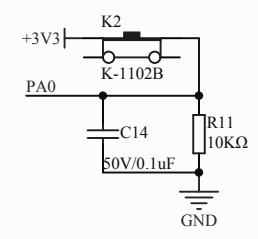
D

D

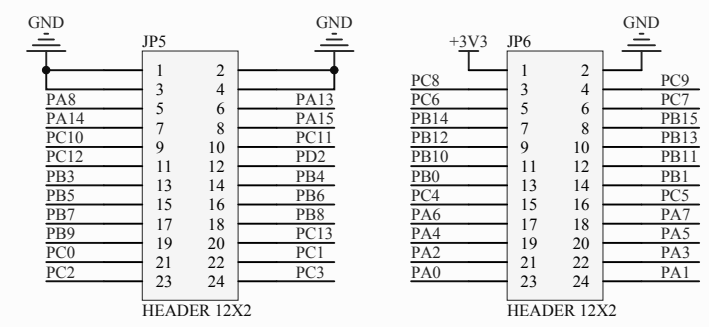
### LED



### KEY



### Extension Pin



<b>Company Name: GigaDevice</b>		
<b>File Name: Extension</b>		
Revision: 1.0	Data: 2015-7	Author: XuFei

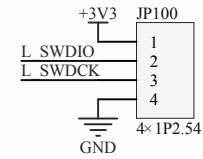
1

2

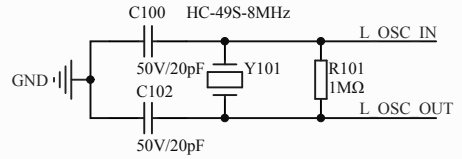
3

4

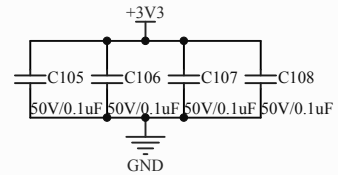
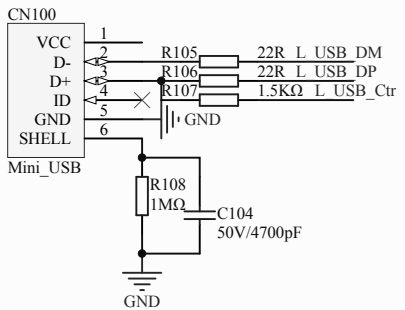
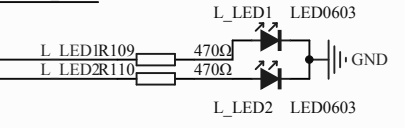
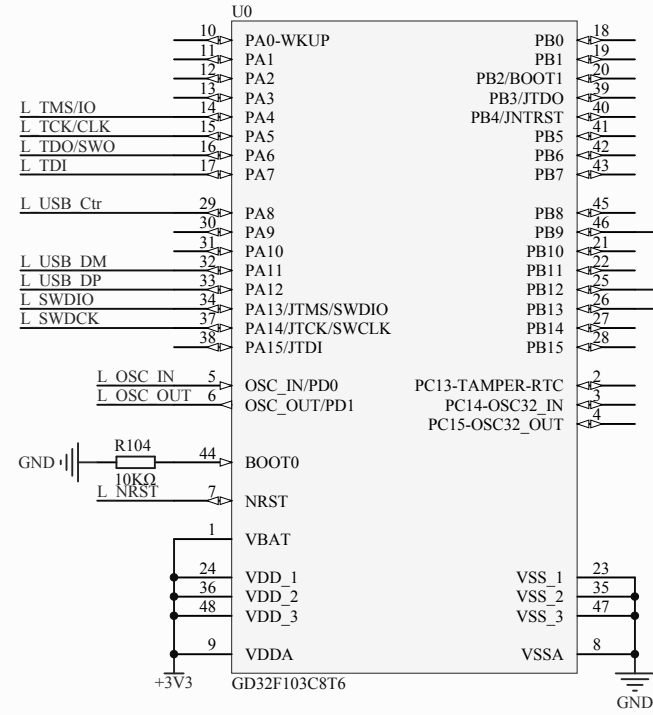
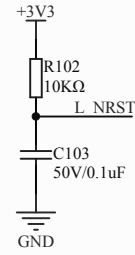
### MCU SWD



### HSE



### Reset



Company Name: GigaDevice

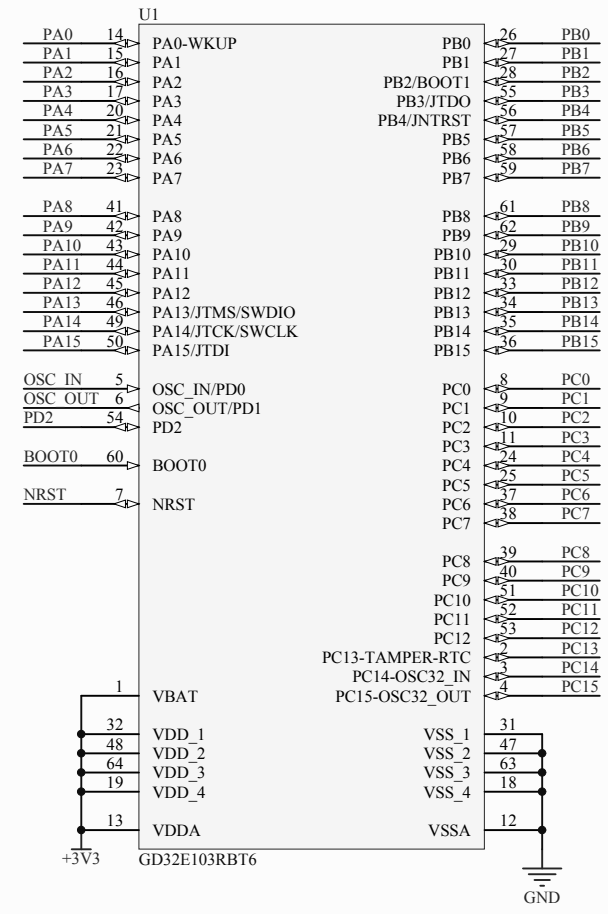
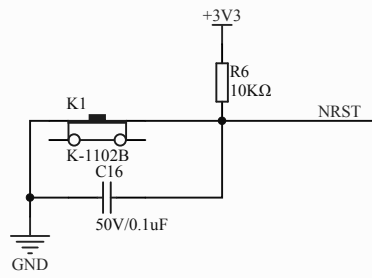
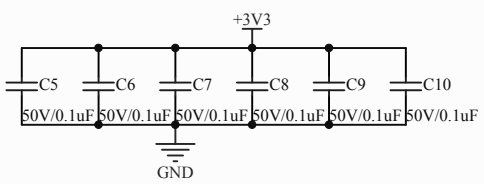
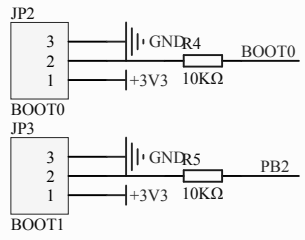
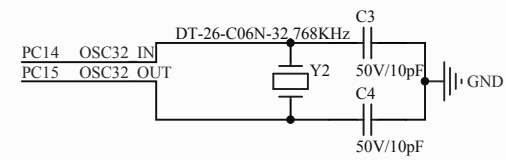
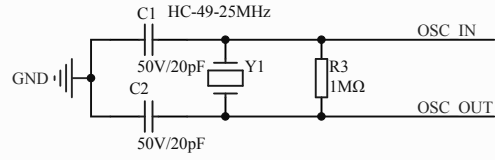
File Name: GDLink

Revision: 1.0

Data: 2015-01-09

Author: XuFei

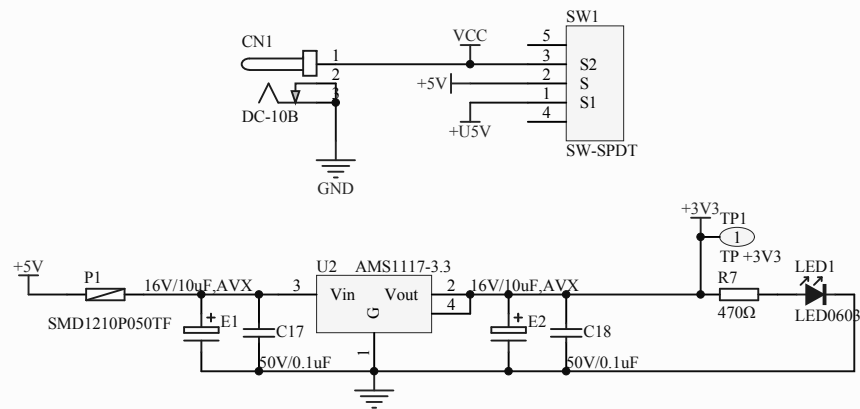
GDLink	JTAG	
L TDI	JTDI	PA15
L TMS/IO	JTMS/SWDIO	PA13
L TCK/CLK	JTCK/SWDCLK	PA14
L TDO/SWO	JTDO	PB3
L TRreset	NRST	
		PB4



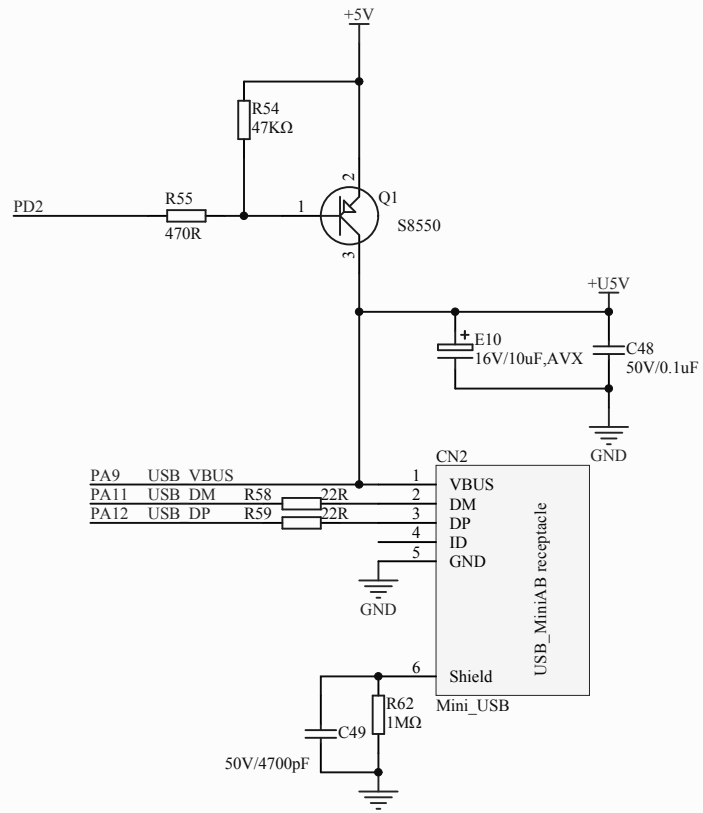
**Company Name: GigaDevice**

**File Name: MCU**

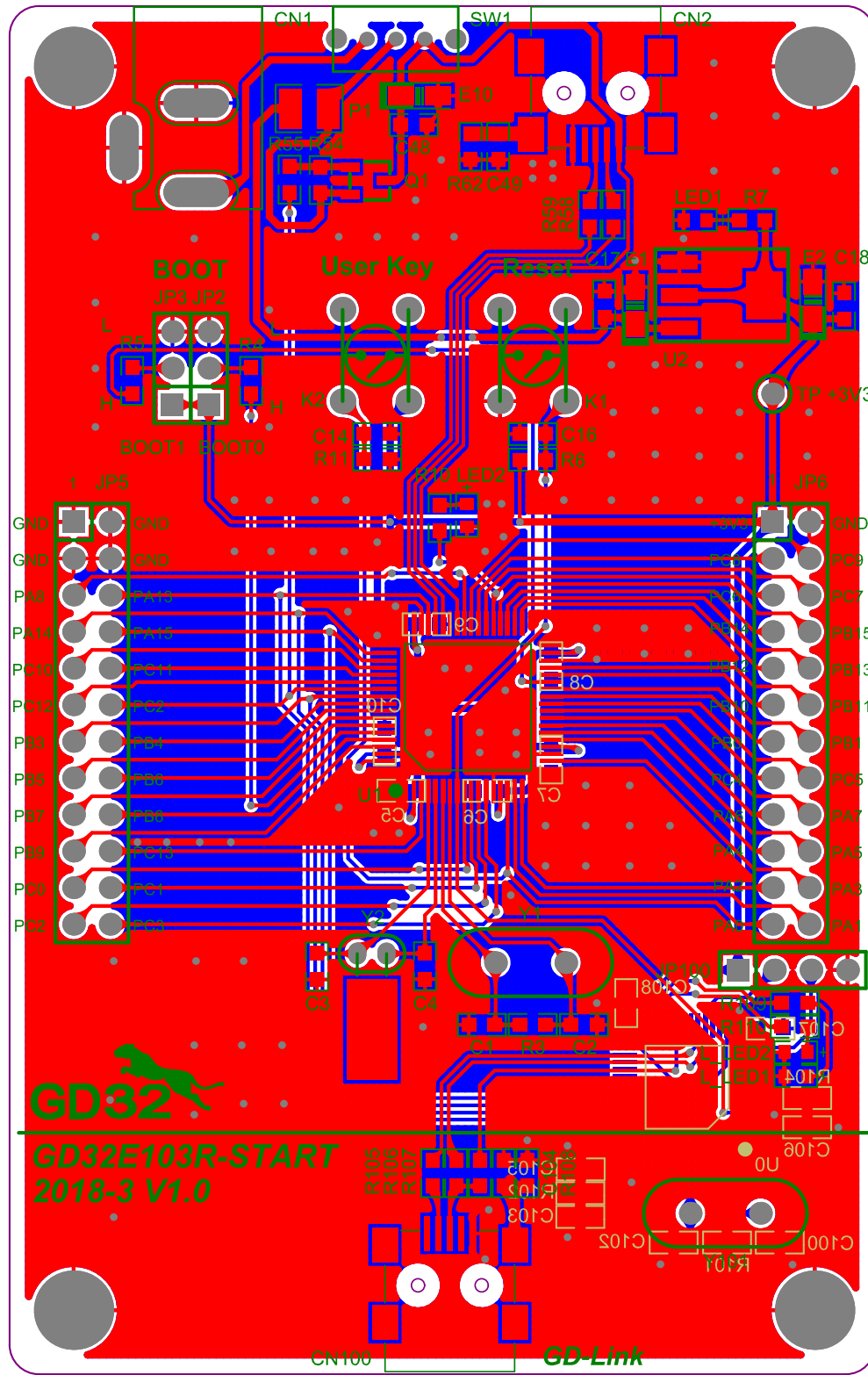
Revision: 1.0      Data: 2018-3      Author: XuFei



<b>Company Name: GigaDevice</b>		
<b>File Name: Power</b>		
Revision: 1.0	Data: 2018-3	Author: XuFei



<b>Company Name: GigaDevice</b>		
<b>File Name: USB_OTG</b>		
Revision: 1.0	Data: 2018-3	Author: Xufei



**GD32E103R-START**  
**2018-3 V1.0**

**GD-Link**

CN100