

# A

# 6030-SG

CE

60x60x30mm(2.36"x2.36"x1.18")



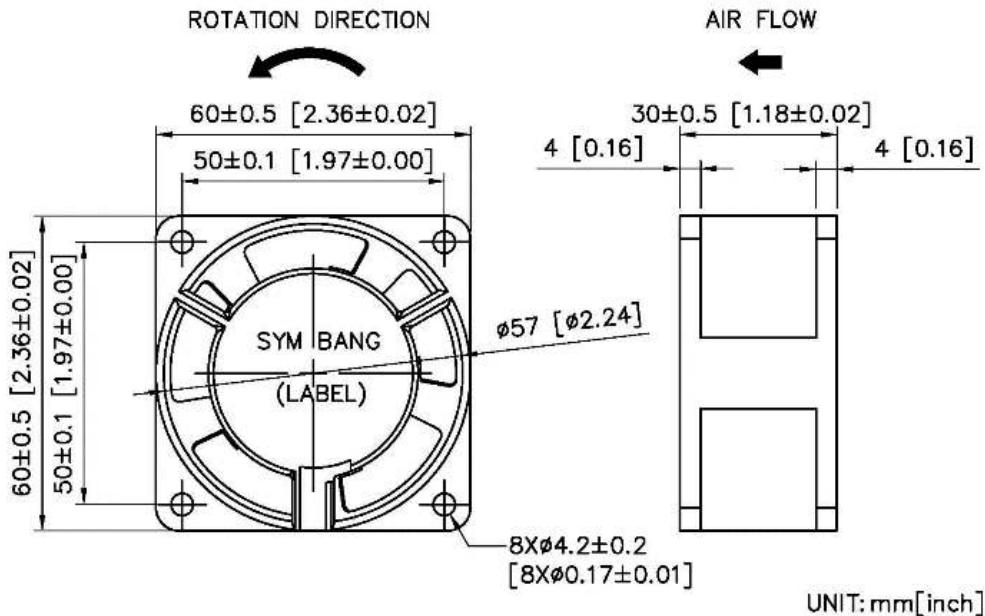
HOUSING	Aluminum Die Casting, Painted Black
IMPELLER	Thermoplastic PBT, UL94V-0
BEARING	Ball or Sleeve
OPERATING TEMPERATURE	-10°C to +70°
DIELECTRIC STRENGTH	5mA Max. at 500 VAC for 1 minute
INSULATION RESISTANCE	10M Ω min. @500 VDC
WEIGHT	150 g
ROHS COMPLIANCE	Yes
IP LEVEL	IP21 (Special IP Rating On Request)

# 60mm

## SPECIFICATION

MODEL NO.	RATED VOLTAGE(V)	RATED CURRENT(A)	INPUT POWER(W)	SPEED (RPM)	MAX. AIR PRESSURE		MAX. AIR FLOW		NOISE dB(A) @1M
					inchH2O	mmH2O	CFM	m3/min	
A6030V1HL-SG	110	0.042/0.04	6/5	2400/3000	0.07/0.12	1.87/3.0	8.12/10.22	0.23/0.29	27/28
A6030V2HL-SG	220	0.040/0.03	6/5	2400/3000	0.07/0.12	1.87/3.0	8.12/10.22	0.23/0.29	27/28

## DIMENSION



SYMBANG

## AIR PERFORMANCE

