

A

12038DV-S

CE

120x120x38mm(4.7"x4.7"x1.5")



HOUSING	Aluminum Die Casting, Painted Black
IMPELLER	Thermoplastic PBT, UL94V-0
BEARING	Ball or Sleeve
OPERATING TEMPERATURE	-10°C to + 70°C
INSULATION	Class A
OPERATING VOLTAGE RANGE	100 VAC to 120 VAC for 115V Type 200 VAC to 240 VAC for 230V Type
DIELECTRIC STRENGTH	5mA Max. at 1500 VAC for 1 second
INSULATION RESISTANCE	10M Ω min. @500 VDC
MOTOR TYPE	Shaded Pole Motor
SAFETY	Impedance Protected
TERMINATION	Lead Wire
WEIGHT	550 g
ROHS COMPLIANCE	Yes
OPTIONAL FUNCTION	FG, RD
DUAL VOLTAGE	115/230VAC
IP LEVEL	IP21 (Special IP Rating On Request)

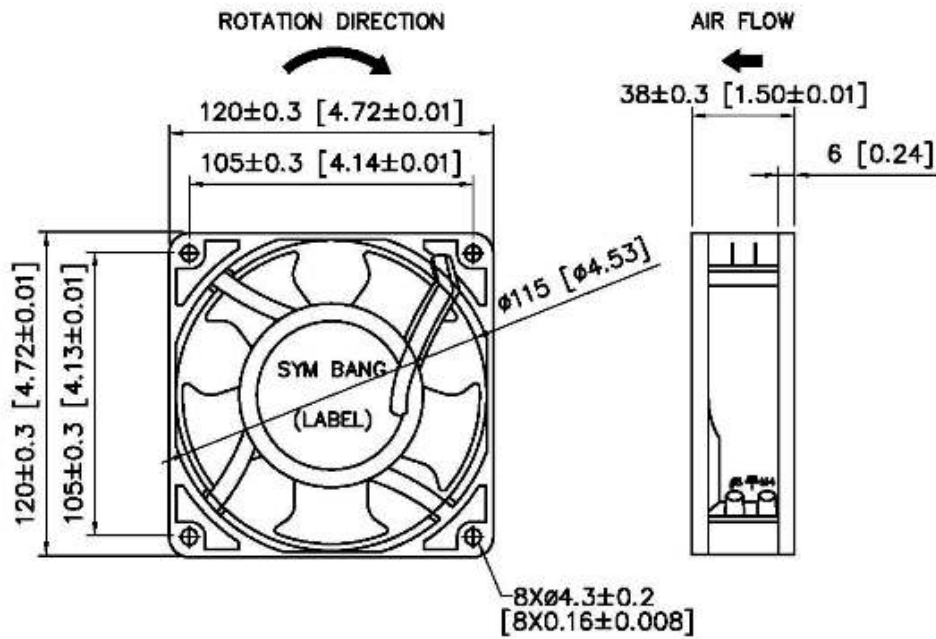
120mm

SPECIFICATION

MODEL NO.	RATED VOLTAGE(V)	RATED CURRENT(A)	INPUT POWER(W)	SPEED (RPM)	MAX. AIR PRESSURE		MAX. AIR FLOW		NOISE dB(A) @1M
					inchH2O	mmH2O	CFM	m3/min	
A12038DVHBL-S	115	0.27/0.24	21.4/18.7	2650/3000	0.23/0.28	5.8/7.0	88/107	2.5/3.1	42
A12038DVHBL-S	230	0.13/0.12	21.4/18.7	2650/3000	0.23/0.28	5.8/7.0	88/107	2.5/3.1	42

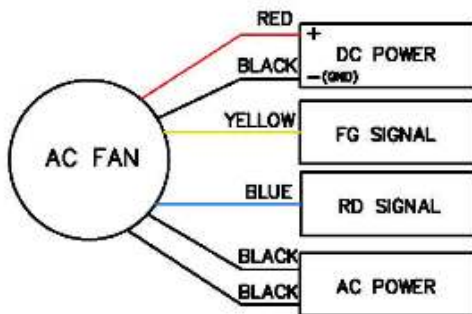
SYMBANG

DIMENSION

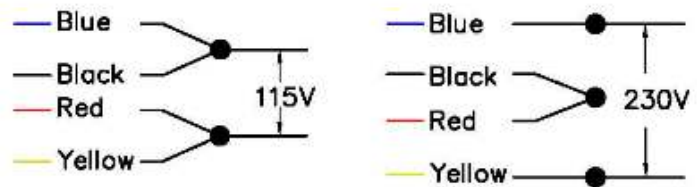


UNIT: mm[inch]

FG/RD Wire Diagram



Dual Voltage Wire Diagram



AIR PERFORMANCE

