

A

12738M-B

127x127x38mm(5"x5"x1.5")



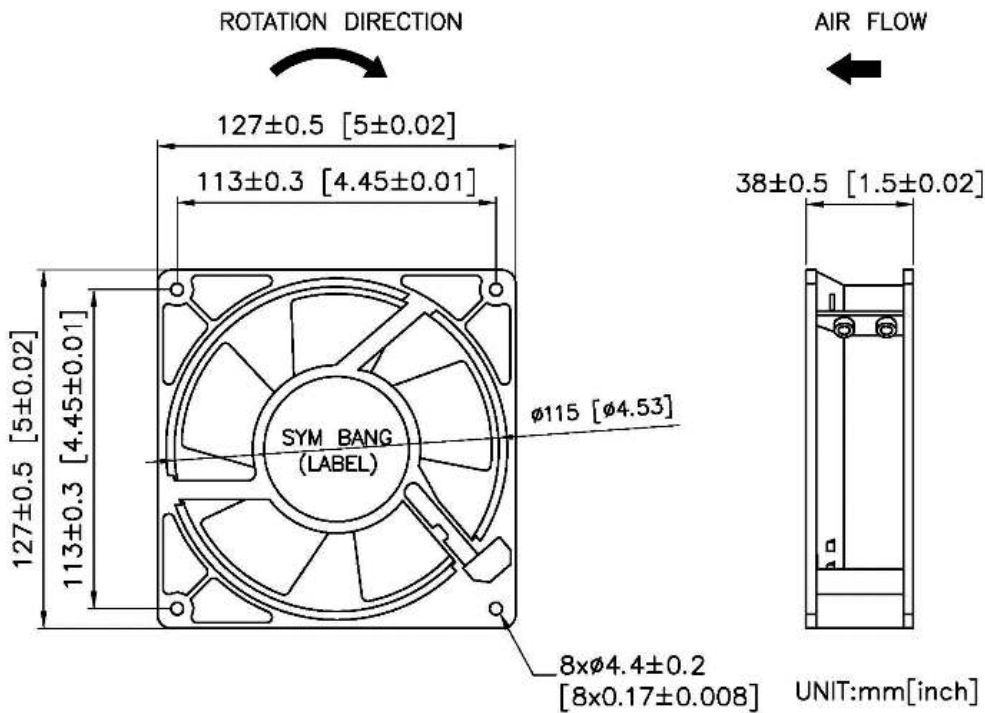
HOUSING	Aluminum Die Casting, Painted Black
IMPELLER	Iron Leaf
BEARING	Ball
OPERATING TEMPERATURE	-10°C to + 105°C
INSULATION	Class A
OPERATING VOLTAGE RANGE	100 VAC to 125 VAC for 110V Type 200 VAC to 240 VAC for 220V Type
DIELECTRIC STRENGTH	5mA Max. at 1500 VAC for 1 second
INSULATION RESISTANCE	10M Ω min. @500 VDC
MOTOR TYPE	Outer Roter, Shaded Pole Motor
SAFETY	Impedance Protected
TERMINATION	Terminals or Lead Wire
WEIGHT	650 g
ROHS COMPLIANCE	Yes
IP LEVEL	IP21 (Special IP Rating On Request)

127 mm

SPECIFICATION

MODEL NO.	RATED VOLTAGE(V)	RATED CURRENT(A)	INPUT POWER(W)	SPEED (RPM)	MAX. AIR PRESSURE		MAX. AIR FLOW		NOISE dB(A) @1M
					inchH2O	mmH2O	CFM	m3/min	
A12738V1HM-B	110	0.28	27	2600/3000	0.28/0.32	7.2/8.1	120/134	3.4/3.8	50/55
A12738V1MM-B	110	0.26	25	2000/2200	0.22/0.28	5.5/7.0	94/105	2.7/2.9	41/45
A12738V2HM-B	220	0.16	25	2600/3000	0.28/0.32	7.2/8.1	120/134	3.4/3.8	50/55
A12738V2MM-B	220	0.15	23	2000/2200	0.22/0.28	5.2/7.0	94/105	2.7/2.9	41/45

DIMENSION



SYMBANG

AIR PERFORMANCE

