

# A

# 15055S-JS

150x172x55mm(5.9"x6.77"x2.17")



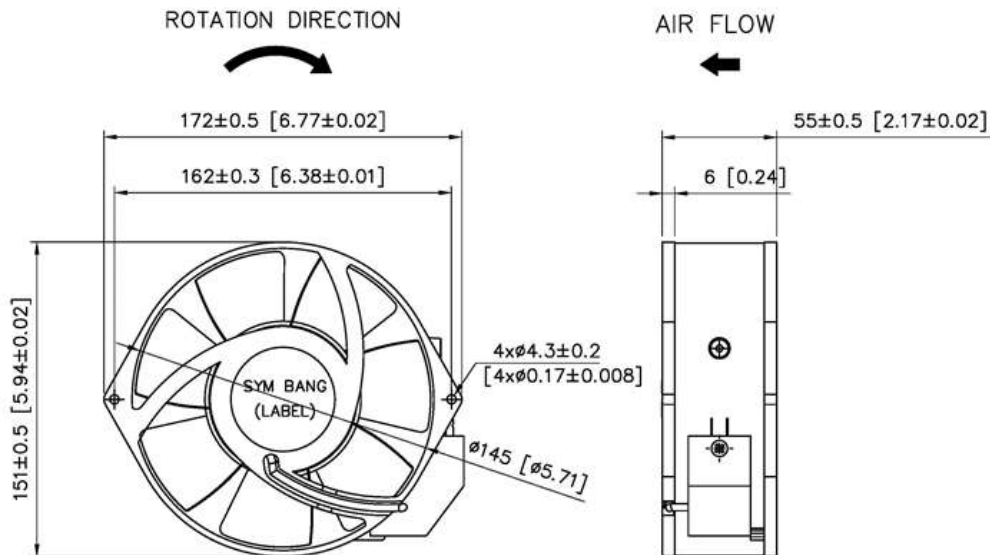
HOUSING	Aluminum Die Casting, Painted Black
IMPELLER	Thermoplastic PBT, UL94V-0
BEARING	Ball
OPERATING TEMPERATURE	-20°C to + 80°C
INSULATION	Class A
OPERATING VOLTAGE RANGE	100 VAC to 120 VAC for 115V Type 200 VAC to 240 VAC for 230V Type
DIELECTRIC STRENGTH	5mA Max. at 1500 VAC for 1 second
INSULATION RESISTANCE	10M Ω min. @500 VDC
MOTOR TYPE	AC Induction Capacitor Motor
SAFETY	Thermally Protected
TERMINATION	Terminals or Lead Wire
WEIGHT	1 kg
ROHS COMPLIANCE	Yes
IP LEVEL	IP21 (Special IP Rating On Request)

# 150mm

## SPECIFICATION

MODEL NO.	RATED VOLTAGE(V)	RATED CURRENT(A)	INPUT POWER(W)	SPEED (RPM)	MAX. AIR PRESSURE		MAX. AIR FLOW		NOISE dB(A) @1M
					inchH2O	mmH2O	CFM	m3/min	
A15055V2HS-JS	230	0.15/0.16	32/33	2750/3200	0.65/0.83	16.5/21	245/290	6.9/8.2	54/59
A15055V1HS-JS	115	0.28/0.29	32/33	2750/3200	0.65/0.83	16.5/21	245/290	6.9/8.2	54/59

## DIMENSION



UNIT: mm[inch]

SYMBANG

# AIR PERFORMANCE

