

# A

# 17251S-JS

172x151x51mm(6.8"x5.9"x2")



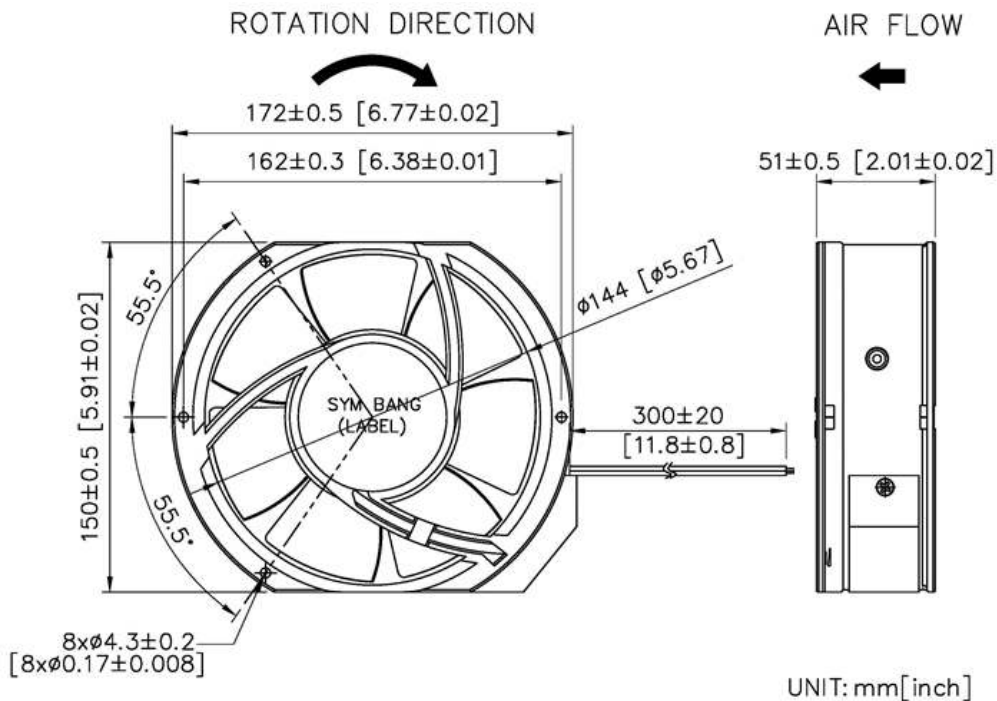
HOUSING	Aluminum Die Casting, Painted Black
IMPELLER	Thermoplastic PBT, UL94V-0
BEARING	Ball
OPERATING TEMPERATURE	-20°C to + 80°C
INSULATION	Class A
OPERATING VOLTAGE RANGE	103 VAC to 126 VAC for 115V Type 207 VAC to 253 VAC for 230V Type
DIELECTRIC STRENGTH	5mA Max. at 1500 VAC for 1 second
INSULATION RESISTANCE	10M $\Omega$ min. @500 VDC
MOTOR TYPE	Outer Rotor, AC Induction Capacitor Motor
SAFETY	Impedance Protected
TERMINATION	Terminals or Lead Wire
WEIGHT	950 g
ROHS COMPLIANCE	Yes
IP LEVEL	IP21(Special IP Rating On Request)

# 172mm

## SPECIFICATION

MODEL NO.	RATED VOLTAGE(V)	RATED CURRENT(A)	INPUT POWER(W)	SPEED (RPM)	MAX. AIR PRESSURE		MAX. AIR FLOW		NOISE dB(A) @1M
					inchH2O	mmH2O	CFM	m3/min	
A17251V1S-JS	115	0.28/0.29	32/33	2750/3200	0.57/0.82	14.5/21	230/280	6.5/7.9	54/59
A17251V2S-JS	230	0.15/0.16	32/33	2750/3200	0.57/0.82	14.5/21	230/280	6.5/7.9	54/59

## DIMENSION



SYMBANG

## AIR PERFORMANCE

